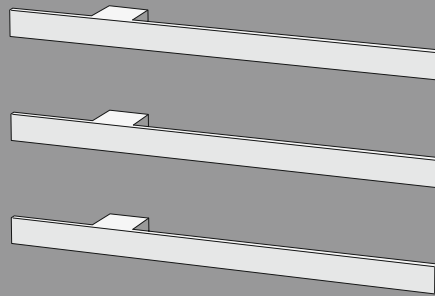
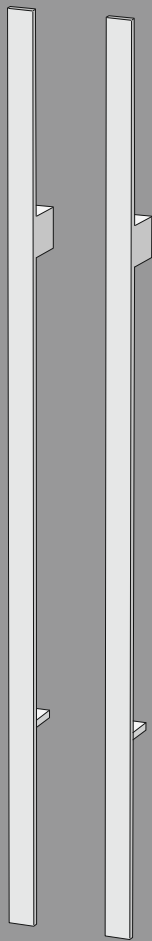


TUBES

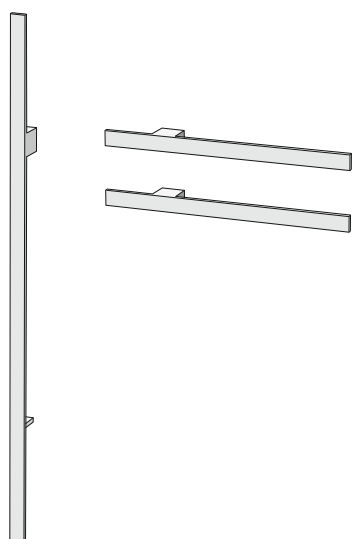


I-CHING

design Elisa Ossino

K_Technical
2022_eu.EN

POSITIONING OPERATING MODE GALVANIC FINISHES COLOUR FINISHES



POSITIONING

I-CHING can be installed either Vertically or Horizontally in all sizes; the appliance is set up for positioning during installation of the recessed part.

ELECTRIC VERSION (24 Volts)

I-CHING can be ordered with or without ON/OFF switch. Since it operates at 24 Volts, the heated towel rail is supplied as standard with the transformer and with the wall-recessed housing box.

The switch-free version must be connected to the electrical system by any control devices, including home automation. The model with a switch is supplied as standard with the switch-transformer connection cable. The maximum length of the cable is 4 metres and it can be shortened as needed.

FINISHES

All the finishes of I-Ching, whether galvanic or coloured, are applied directly to stainless steel, the material used to build the heated towel rail.

GALVANIC FINISHES

standard finish



Satin finish STAINLESS STEEL (code G0_XSA)

special finishes

(supplied with an additional charge)



Polished STAINLESS STEEL (code G1_XLU)



Matt Brushed BLACK NICKEL (code G2_NNS)



Matt Brushed TIN (code G2_SSO)



Matt Brushed COPPER (code G2_RMO)

COLOUR FINISHES

standard finishes



Matt WHITE (code 916P)



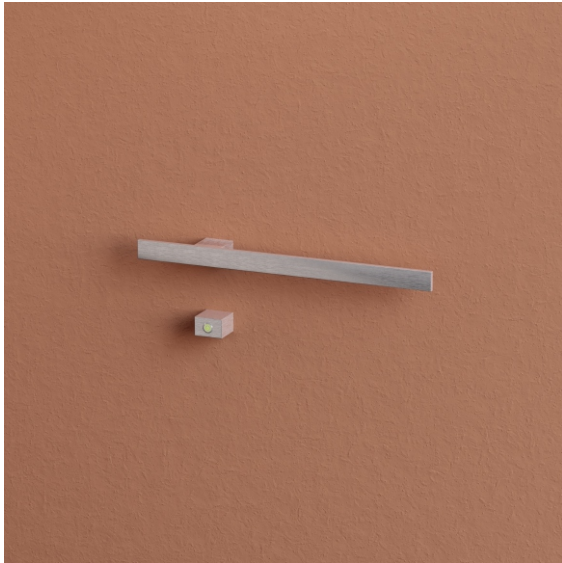
Matt BLACK (code 9005)

finishes upon request

(Colour category C0/C1/C3)

“Finishes upon request” are understood to be all those colours in the TUBES Colour Chart with category C0/C1/C3. Glossy Grey Chrome code GRCR is not available for this model.

I-CHING_01 electric version



electric with switch

How to order I-Ching

I-Ching consists of two elements, a visible external part, and a recessed part which must be set up when the plumbing is installed and can therefore be shipped in advance. I-Ching is available with or without a switch and it operates at 24 V.

E.g.: ordering I-CHING- 1 element with switch

External part ICH1E#063...

ICH1 I-Ching 1 element
E Electric
063 Length of element 63 cm
... Specify colour (see Tubes colour chart)

Recessed part INC_ICH#E01INT

Recess for I-Ching- 1 element WITH pre-arrangement for switch

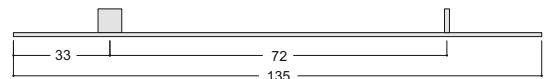
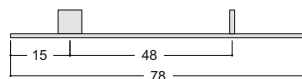
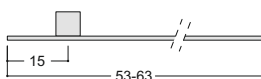
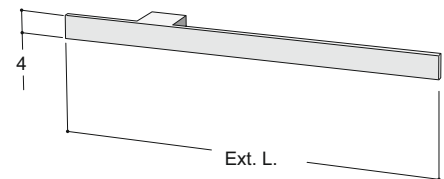
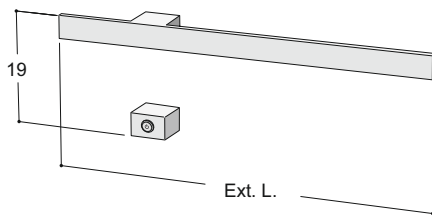
Switch INT_ICH#

INT_ICH Switch for I-Ching

Transformer KIT KIT_ICH#01INT

Transformer kit with switch set up

electric without switch



I-CHING 1 Element

External part

Code	Description	Technical data			Coloured Finishes		Stainless Steel and Galvanic Finishes*	
		Ext.L. (cm)	Ext.P. (cm).	Output	standard finishes	Colours C0 / C1	Code	STAINLESS STEEL Satin Polished
ICH1E#053	External part I-CHING 01 L.53 cm	53,0	4,0 cm	15 W			ICH1EG#053	
ICH1E#063	External part I-CHING 01 L.63 cm	63,0	4,0 cm	19 W			ICH1EG#063	
ICH1E#078	External part I-CHING 01 L.78 cm	78,0	4,0 cm	24 W			ICH1EG#078	
ICH1E#135	External part I-CHING 01 L.135 cm	135,0	4,0 cm	40 W			ICH1EG#135	

* For the other Galvanic finishes, the price is calculated with an additional charge of 20% on the price of Satin Finish Stainless Steel

Recessed part

Code	Description	Price (€)
INC_ICH#E01	Recess for I-CHING- 1 element Without pre-arrangement for switch	
INC_ICH#E01INT	Recess for I-CHING- 1 element With pre-arrangement for switch	

Switch

Code	Description	Price (€)
INT_ICH#	Switch for I-CHING Coloured	
INT_ICHG#	Switch for I-CHING Galvanic	

Transformer KIT** Required componen

Code	Description	Price (€)
KIT_ICH#01	Transformer kit without switch set up (max120W)	
KIT_ICH#01INT	Transformer kit with switch set up (max120W)	

** the recessed part also includes the 24V transformer and set-up for electrical connections

I-CHING_02 electric version



How to order I-Ching

I-Ching consists of two elements, a visible external part, and a recessed part which must be set up when the plumbing is installed and can therefore be shipped in advance. I-Ching is available with or without a switch and it operates at 24 V.

E.g.: ordering I-CHING- 2 elements with switch

External part ICH2E#063...

ICH2 I-Ching 2 elements
 E Electric
 063 Length of element 63 cm
 ... Specify colour (see Tubes colour chart)

Recessed part INC_ICH#E02INT

Recess for I-Ching- 2 element WITH pre-arrangement for switch

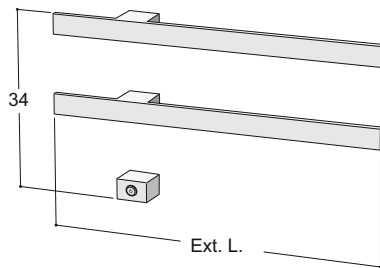
Switch INT_ICH#

INT_ICH Switch for I-Ching

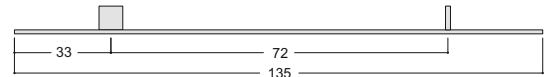
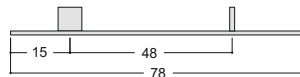
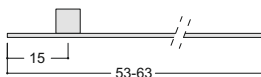
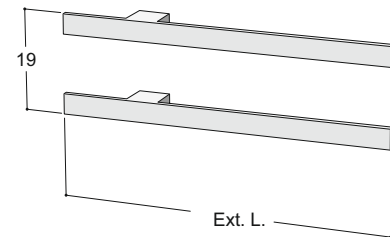
Transformer KIT KIT_ICH#01INT

Transformer kit with switch set up

electric with switch



electric without switch



I-CHING 2 Elements

External part

Code	Description	Technical data			Coloured Finishes		Stainless Steel and Galvanic Finishes*	
		Ext.L. (cm)	Ext.P. (cm)	Output	standard finishes	Colours C0 / C1	Code	STAINLESS STEEL Satin Polished
ICH2E#053	External part I-CHING 02 L.53 cm	53,0	19,0 cm	30 W			ICH2EG#053	
ICH2E#063	External part I-CHING 02 L.63 cm	63,0	19,0 cm	38 W			ICH2EG#063	
ICH2E#078	External part I-CHING 02 L.78 cm	78,0	19,0 cm	48 W			ICH2EG#078	
ICH2E#135	External part I-CHING 02 L.135 cm	135,0	19,0 cm	80 W			ICH2EG#135	

* For the other Galvanic finishes, the price is calculated with an additional charge of 20% on the price of Satin Finish Stainless Steel

Recessed part

Code	Description	Price (€)
INC_ICH#E02	Recess for I-CHING- 2 elements Without pre-arrangement for switch	
INC_ICH#E02INT	Recess for I-CHING- 2 elements With pre-arrangement for switch	

Switch

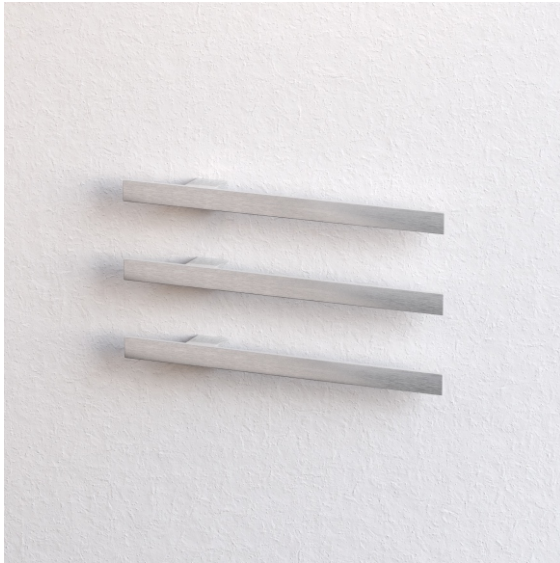
Code	Description	Price (€)
INT_ICH#	Switch for I-CHING Coloured	
INT_ICHG#	Switch for I-CHING Galvanic	

Transformer KIT** Required componen

Code	Description	Price (€)
KIT_ICH#01	Transformer kit without switch set up (max120W)	
KIT_ICH#01INT	Transformer kit with switch set up (max120W)	

** the recessed part also includes the 24V transformer and set-up for electrical connections

I-CHING_03 electric version



How to order I-Ching

I-Ching consists of two elements, a visible external part, and a recessed part which must be set up when the plumbing is installed and can therefore be shipped in advance. I-Ching is available with or without a switch and it operates at 24 V.

E.g.: ordering I-CHING- 3 elements with switch

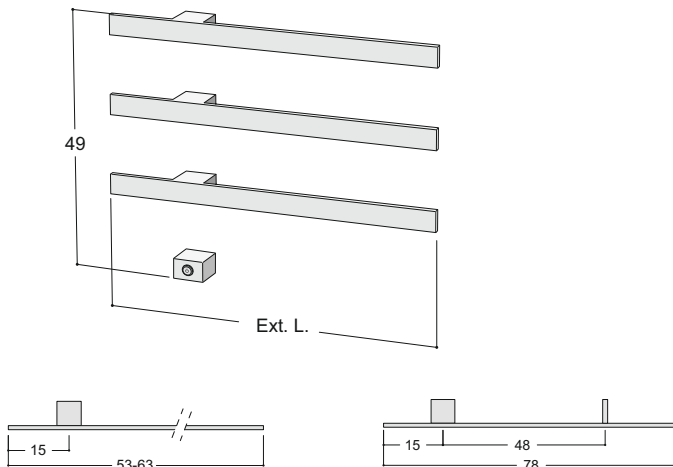
External part ICH3E#063...
 ICH3 I-Ching 3 elements
 E Electric
 063 Length of element 63 cm
 ... Specify colour (see Tubes colour chart)

Recessed part INC_ICH#E03INT
 Recess for I-Ching- 3 element WITH pre-arrangement for switch

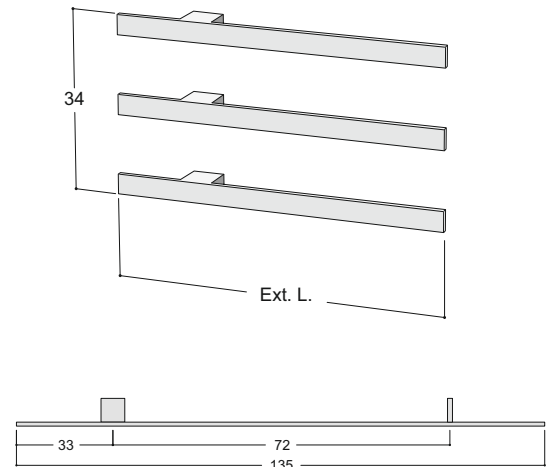
Switch INT_ICH#
 INT_ICH Switch for I-Ching

Transformer KIT KIT_ICH#01INT
 Transformer kit with switch set up

electric with switch



electric without switch



I-CHING 3 Elements

External part

Code	Description	Technical data			Coloured Finishes		Stainless Steel and Galvanic Finishes*	
		Ext.L. (cm)	Ext.P. (cm).	Output	standard finishes	Colours CO / C1	Code	STAINLESS STEEL Satin Polished
ICH3E#053	External part I-CHING 03 L.53 cm	53,0	34,0 cm	45 W			ICH3EG#053	
ICH3E#063	External part I-CHING 03 L.63 cm	63,0	34,0 cm	57 W			ICH3EG#063	
ICH3E#078	External part I-CHING 03 L.78 cm	78,0	34,0 cm	72 W			ICH3EG#078	
ICH3E#135	External part I-CHING 03 L.135 cm	135,0	34,0 cm	120 W			ICH3EG#135	

* For the other Galvanic finishes, the price is calculated with an additional charge of 20% on the price of Satin Finish Stainless Steel

Recessed part

Code	Description	Price (€)
INC_ICH#E03	Recess for I-CHING- 3 elements without pre-arrangement for switch	
INC_ICH#E03INT	Recess for I-CHING- 3 elements with pre-arrangement for switch	

Switch

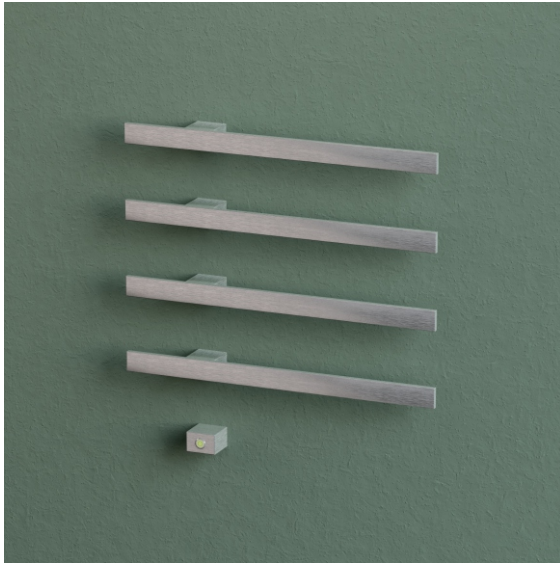
Code	Description	Price (€)
INT_ICH#	Switch for I-CHING Coloured	
INT_ICHG#	Switch for I-CHING Galvanic	

Transformer KIT** Required componen

Code	Description	Price (€)
KIT_ICH#01	Transformer kit without switch set up (max120W)	
KIT_ICH#01INT	Transformer kit with switch set up (max120W)	

** the recessed part also includes the 24V transformer and set-up for electrical connections

I-CHING_04 electric version



How to order I-Ching

I-Ching consists of two elements, a visible external part, and a recessed part which must be set up when the plumbing is installed and can therefore be shipped in advance. I-Ching is available with or without a switch and it operates at 24 V.

E.g.: ordering I-CHING- 4 elements with switch

External part **ICH4E#063...**
 ICH4 I-Ching 4 elements
 E Electric
 063 Length of element 63 cm
 ... Specify colour (see Tubes colour chart)

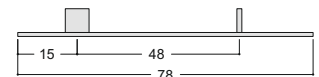
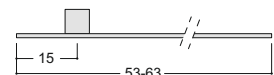
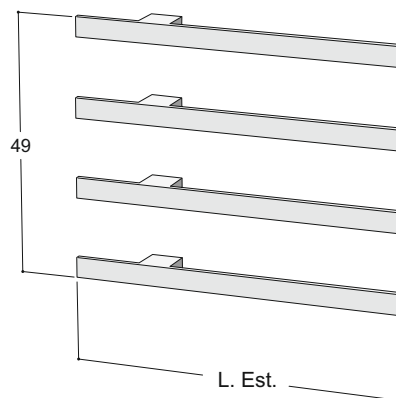
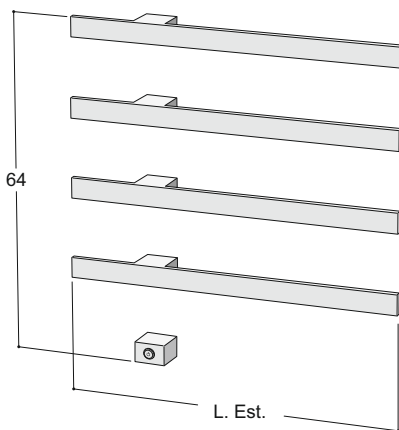
Recessed part **INC_ICH#E04INT**
 Recess for I-Ching- 4 element WITH pre-arrangement for switch

Switch **INT_ICH#**
 INT_ICH Switch for I-Ching

Transformer KIT **KIT_ICH#01INT**
 Transformer kit with switch set up

electric with switch

electric without switch



I-CHING 4 Elements

External part

Code	Description	Technical data			Coloured Finishes		Stainless Steel and Galvanic Finishes*	
		Ext.L. (cm)	Ext.P. (cm)	Output	standard finishes	Colours C0 / C1	Code	STAINLESS STEEL Satin Polished
ICH4E#053	External part I-CHING 04 L.53 cm	53,0	49,0 cm	60 W			ICH4EG#053	
ICH4E#063	External part I-CHING 04 L.63 cm	63,0	49,0 cm	76 W			ICH4EG#063	
ICH4E#078	External part I-CHING 04 L.78 cm	78,0	49,0 cm	96 W			ICH4EG#078	

* For the other Galvanic finishes, the price is calculated with an additional charge of 20% on the price of Satin Finish Stainless Steel

Recessed part

Code	Description	Price (€)
INC_ICH#E04	Recess for I-CHING- 4 elements without pre-arrangement for switch	
INC_ICH#E04INT	Recess for I-CHING- 4 elements with pre-arrangement for switch	

Switch

Code	Description	Price (€)
INT_ICH#Switch	Switch for I-CHING Coloured	
INT_ICHG#Switch	Switch for I-CHING Galvanic	

Transformer KIT** Required componen

Code	Description	Price (€)
KIT_ICH#01	Transformer kit without switch set up (max120W)	
KIT_ICH#01INT	Transformer kit with switch set up (max120W)	

** the recessed part also includes the 24V transformer and set-up for electrical connections

I-CHING_05 electric version



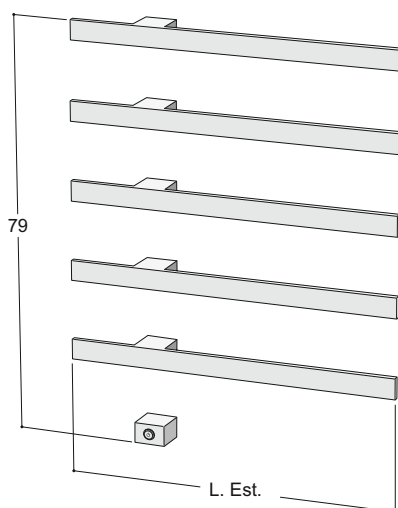
How to order I-Ching

I-Ching consists of two elements, a visible external part, and a recessed part which must be set up when the plumbing is installed and can therefore be shipped in advance. I-Ching is available with or without a switch and it operates at 24 V.

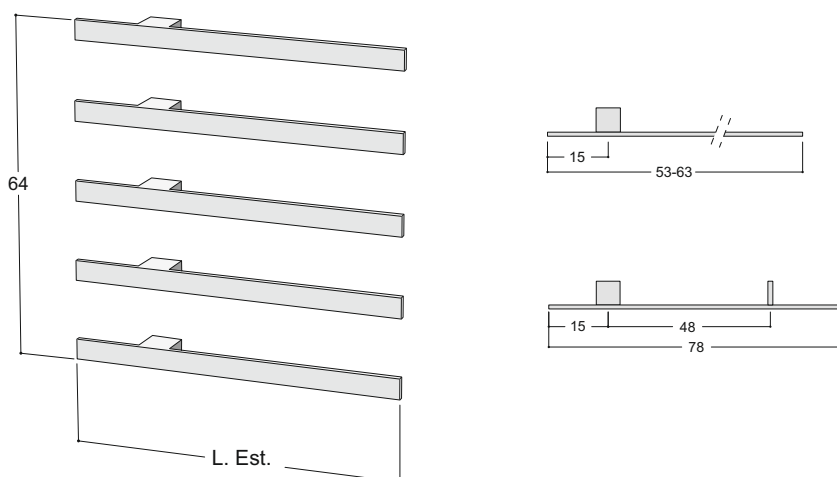
E.g.: ordering I-CHING- 5 elements with switch

External part	ICH5E#078...
ICH5	I-Ching 5 elements
E	Electric
078	Length of element 78 cm
...	Specify colour (see Tubes colour chart)
Recessed part	INC_ICH#E05INT
	Recess for I-Ching- 5 element WITH pre-arrangement for switch
Switch	INT_ICH#
INT_ICH	Switch for I-Ching
Transformer KIT	KIT_ICH#01INT
	Transformer kit with switch set up

electric with switch



electric without switch



I-CHING 5 Elements

External part

Code	Description	Technical data			Coloured Finishes		Stainless Steel and Galvanic Finishes*	
		Ext.L. (cm)	Ext.P. (cm).	Output	standard finishes	Colours C0 / C1	Code	STAINLESS STEEL Satin Polished
ICH5E#053	External part I-CHING 05 L.53 cm	53,0	64,0 cm	75 W			ICH5EG#053	
ICH5E#063	External part I-CHING 05 L.63 cm	63,0	64,0 cm	95 W			ICH5EG#063	
ICH5E#078	External part I-CHING 05 L.78 cm	78,0	64,0 cm	120 W			ICH5EG#078	

* For the other Galvanic finishes, the price is calculated with an additional charge of 20% on the price of Satin Finish Stainless Steel

Recessed part

Code	Description	Price (€)
INC_ICH#E05	Recess for I-CHING- 5 elements without pre-arrangement for switch	
INC_ICH#E05INT	Recess for I-CHING- 5 elements with pre-arrangement for switch	

Switch

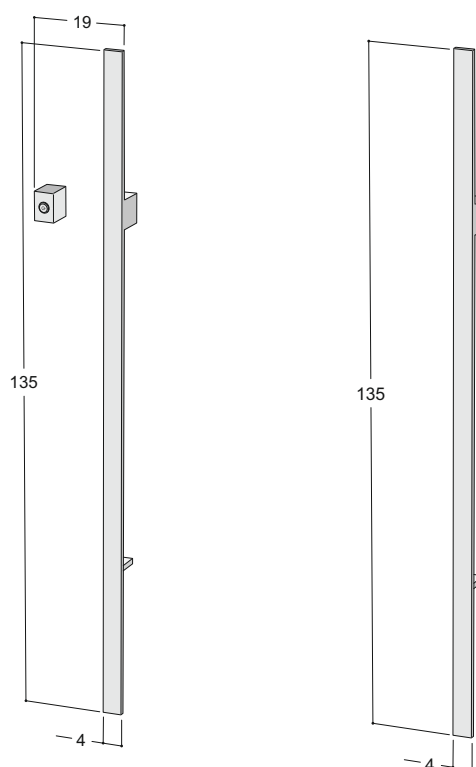
Code	Description	Price (€)
INT_ICH#	Switch for I-CHING Coloured	
INT_ICHG#	Switch for I-CHING Galvanic	

Transformer KIT** Required componen

Code	Description	Price (€)
KIT_ICH#01	Transformer kit without switch set up (max120W)	
KIT_ICH#01INT	Transformer kit with switch set up (max120W)	


** the recessed part also includes the 24V transformer and set-up for electrical connections

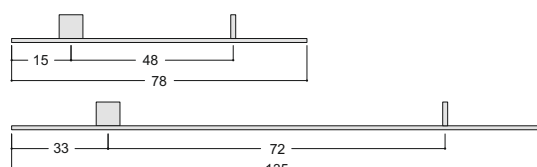
I-CHING_01 electric vertical version



How to order I-Ching

I-Ching consists of two elements, a visible external part, and a recessed part which must be set up when the plumbing is installed and can therefore be shipped in advance. I-Ching is available with or without a switch and it operates at 24 V.

 Technical data sheets and assembly instructions
I-CHING requires the correct installation of the recessed part, so please consult the relevant instructions on page 14



E.g.: ordering I-CHING- 1 elements with switch

- External part** **ICH1E#135...**
 ICH1 I-Ching 1 element
 E Electric
 135 Height of element 135 cm
 ... Specify colour (see Tubes colour chart)
- Recessed part** **INC_ICH#E01INT**
 Recess for I-Ching- 1 element WITH pre-arrangement for switch
- Switch** **INT_ICH#**
 Switch for I-Ching
- Transformer KIT** **KIT_ICH#01INT**
 Transformer kit with switch set up

Vertical I-CHING - 1 element

External part

Code	Description	Technical data			Coloured Finishes		Stainless Steel and Galvanic Finishes*	
		Ext.H. (cm)	Ext.L. (cm).	Output	standard finishes	Colours C0 / C1	Code	STAINLESS STEEL Satin Polished
ICH1E#078	External part I-CHING 01 L.78 cm	78,0	4,0 cm	24 W			ICH1EG#078	
ICH1E#135	External part I-CHING 01 L.135 cm	135,0	4,0 cm	40 W			ICH1EG#135	

* For the other Galvanic finishes, the price is calculated with an additional charge of 20% on the price of Satin Finish Stainless Steel

Recessed part

Code	Description	Price (€)
INC_ICH#E01	Recess for I-CHING- 1 element without pre-arrangement for switch	
INC_ICH#E01INT	Recess for I-CHING- 1 element with pre-arrangement for switch	

Switch

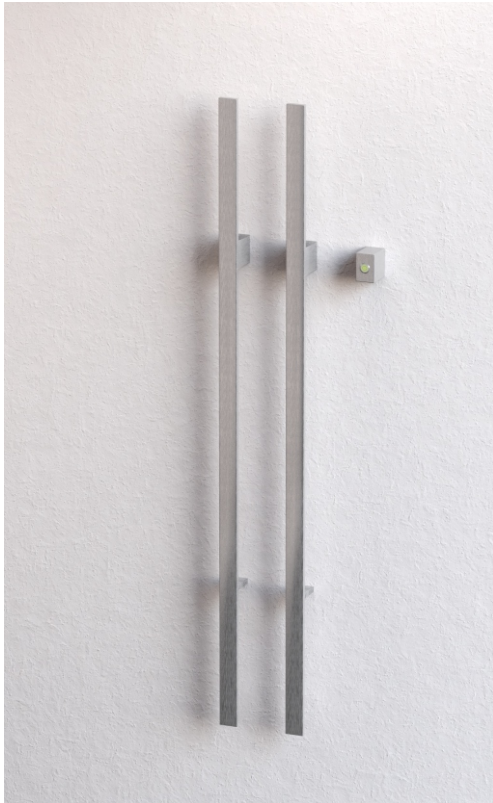
Code	Description	Price (€)
INT_ICH#	Switch for I-CHING Coloured	
INT_ICH#	Switch for I-CHING Galvanic	

Transformer KIT** Required componen

Code	Description	Price (€)
KIT_ICH#01	Transformer kit without switch set up (max120W)	
KIT_ICH#01INT	Transformer kit with switch set up (max120W)	


** the recessed part also includes the 24V transformer and set-up for electrical connections

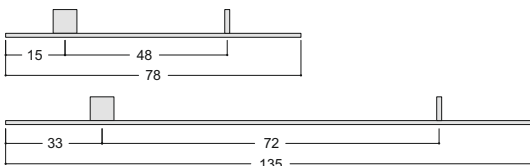
I-CHING_02 electric vertical version



How to order I-Ching

I-Ching consists of two elements, a visible external part, and a recessed part which must be set up when the plumbing is installed and can therefore be shipped in advance. I-Ching is available with or without a switch and it operates at 24 V.

 Technical data sheets and assembly instructions
I-CHING requires the correct installation of the recessed part, so please consult the relevant instructions on page 14



E.g.: ordering I-CHING- 2 elements without switch

External part **ICH2E#135...**
ICH2 I-Ching 2 elements
E Electric
135 Height of element 135 cm
... Specify colour (see Tubes colour chart)

Recessed part **INC_ICH#E02**
Recess for I-Ching- 2 element WITHOUT pre-arrangement for switch

Transformer KIT **KIT_ICH#01**
Transformer kit without switch set up

Vertical I-CHING - 2 Elements

External part

Code	Description	Technical data			Coloured Finishes		Stainless Steel and Galvanic Finishes*	
		Ext.H. (cm)	Ext.L. (cm).	Output	standard finishes	Colours C0 / C1	Code	STAINLESS STEEL Satin Polished
ICH2E#078	External part I-CHING 02 L.78 cm	78,0	19,0 cm	48 W			ICH2EG#078	
ICH2E#135	External part I-CHING 02 L.135 cm	135,0	19,0 cm	80 W			ICH2EG#135	

* For the other Galvanic finishes, the price is calculated with an additional charge of 20% on the price of Satin Finish Stainless Steel

Recessed part

Code	Description	Price (€)
INC_ICH#E02	Recess for I-CHING- 2 elements without pre-arrangement for switch	
INC_ICH#E02INT	Recess for I-CHING- 2 elements with pre-arrangement for switch	

Switch

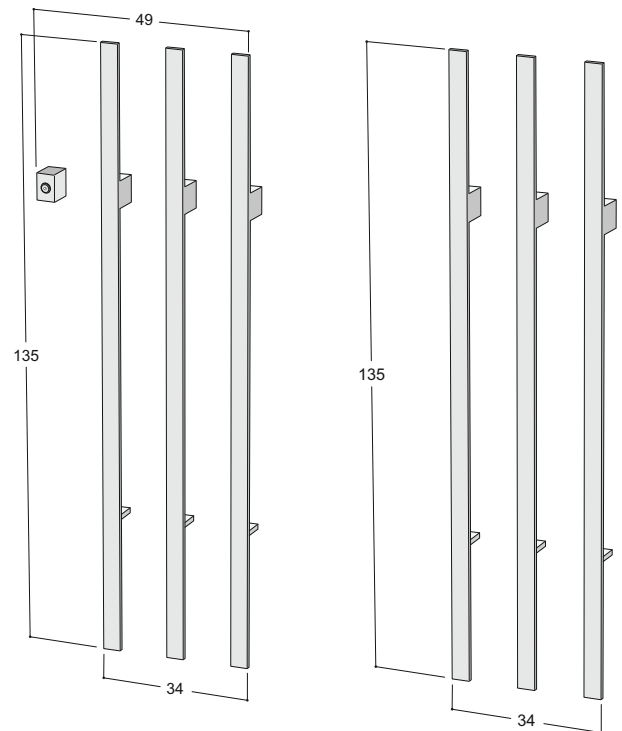
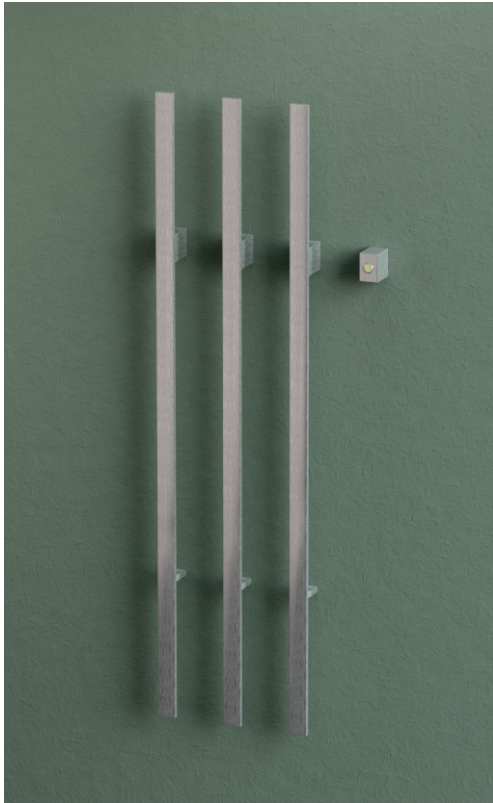
Code	Description	Price (€)
INT_ICH#Switch	Switch for I-CHING Coloured	
INT_ICHG#Switch	Switch for I-CHING Galvanic	

Transformer KIT** Required componen

Code	Description	Price (€)
KIT_ICH#01	Transformer kit without switch set up (max120W)	
KIT_ICH#01INT	Transformer kit with switch set up (max120W)	


** the recessed part also includes the 24V transformer and set-up for electrical connections

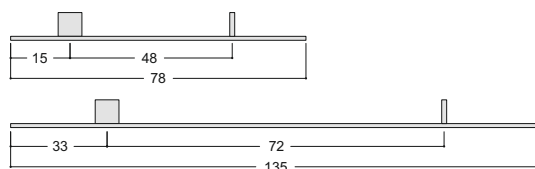
I-CHING_03 electric vertical version



How to order I-Ching

I-Ching consists of two elements, a visible external part, and a recessed part which must be set up when the plumbing is installed and can therefore be shipped in advance. I-Ching is available with or without a switch and it operates at 24 V.

 Technical data sheets and assembly instructions
I-CHING requires the correct installation of the recessed part, so please consult the relevant instructions on page 14



E.g.: ordering I-CHING- 3 elements with switch

- External part** **ICH3E#135...**
ICH3 I-Ching 3 elements
E Electric
135 Height of element 135 cm
... Specify colour (see Tubes colour chart)
- Recessed part** **INC_ICH#E03INT**
Recess for I-Ching- 3 element WITH pre-arrangement for switch
- Switch** **INT_ICH#**
Switch for I-Ching
- Transformer KIT** **KIT_ICH#01INT**
Transformer kit with switch set up

Vertical I-CHING - 3 Elements

External part

Code	Description	Technical data			Coloured Finishes		Stainless Steel and Galvanic Finishes*	
		Ext.H. (cm)	Ext.L. (cm)	Output	standard finishes	Colours C0 / C1	Code	STAINLESS STEEL Satin Polished
ICH3E#078	External part I-CHING 03 L.78 cm	78,0	34,0 cm	72 W			ICH3EG#078	
ICH3E#135	External part I-CHING 03 L.135 cm	135,0	34,0 cm	120 W			ICH3EG#135	

* For the other Galvanic finishes, the price is calculated with an additional charge of 20% on the price of Satin Finish Stainless Steel

Recessed part

Code	Description	Price (€)
INC_ICH#E03	Recess for I-CHING- 3 elements without pre-arrangement for switch	
INC_ICH#E03INT	Recess for I-CHING- 3 elements with pre-arrangement for switch	

Switch

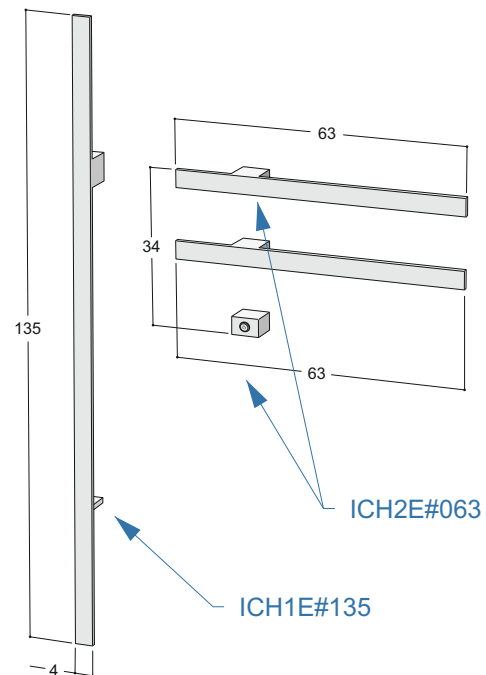
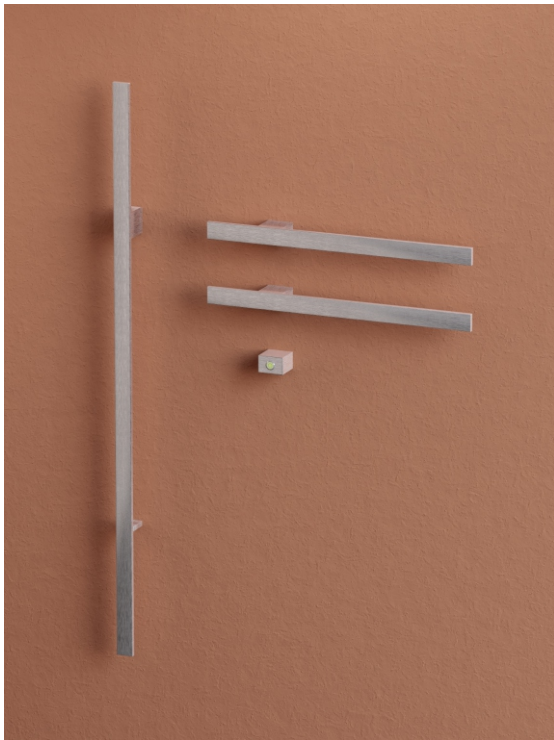
Code	Description	Price (€)
INT_ICH#	Switch for I-CHING Coloured	
INT_ICHG#	Switch for I-CHING Galvanic	

Transformer KIT** Required componen

Code	Description	Price (€)
KIT_ICH#01	Transformer kit without switch set up (max120W)	
KIT_ICH#01INT	Transformer kit with switch set up (max120W)	

** the recessed part also includes the 24V transformer and set-up for electrical connections

I-CHING Composition_03 electric version



How to order I-Ching

I-Ching consists of two elements, a visible external part, and a recessed part which must be set up when the plumbing is installed and can therefore be shipped in advance. I-Ching is available with or without a switch and it operates at 24 V.

E.g.: ordering [I-CHING Composition_03 electric with switch](#)

External part ICH2E#063... + ICH1E#135...

ICH2E#063 I-Ching- 2 elements electric, size 63 cm
 ICH1E#135 I-Ching- 1 element electric, size 135 cm
 063, 135 Length of elements in cm
 ... Specify colour (see Tubes colour chart)

Recessed part INC_ICH#E02INT + INC_ICH#E01

INC_ICH#E02INT Recess for I-Ching- 2 elements with pre-arrangement for switch
 INC_ICH#E01 Recess for I-Ching- 1 element without pre-arrangement for switch

Interruttore INT_ICH#

Interruttore per I-Ching

Transformer KIT KIT_ICH#01INT

Transformer kit with switch set up

I-CHING Composition_03 Electric

External part I-Ching Composition_03

Code	Description	Output	Coloured Finishes		Stainless Steel and Galvanic Finishes*		
			standard finishes	Colours C0 / C1	Code	STAINLESS STEEL	
						Satin	Polished
ICH2E#063	External part I-CHING 02 L.63 cm	38 W			ICH2EG#063		
ICH1E#135	External part I-CHING 01 L.135 cm	40 W			ICH1EG#135		
Total I-CHING Composition_03 External part		78 W					

* For the other Galvanic finishes, the price is calculated with an additional charge of 20% on the price of Satin Finish Stainless Steel

Recessed part I-Ching Composition_03 with and without pre-arrangement for switch

Code	Description	Price (€)
INC_ICH#E02	Recess for I-CHING- 2 elements without pre-arrangement for switch	
INC_ICH#E01	Recess for I-CHING- 1 element without pre-arrangement for switch	
Total Recessed Part of I-Ching Composition_03 without pre-arrangement for switch		
INC_ICH#E02INT	Recess for I-CHING- 2 elements with pre-arrangement for switch	
INC_ICH#E01	Recess for I-CHING- 1 element without pre-arrangement for switch	
Total Recessed Part of I-Ching Composition_03 with pre-arrangement for switch		

Switch

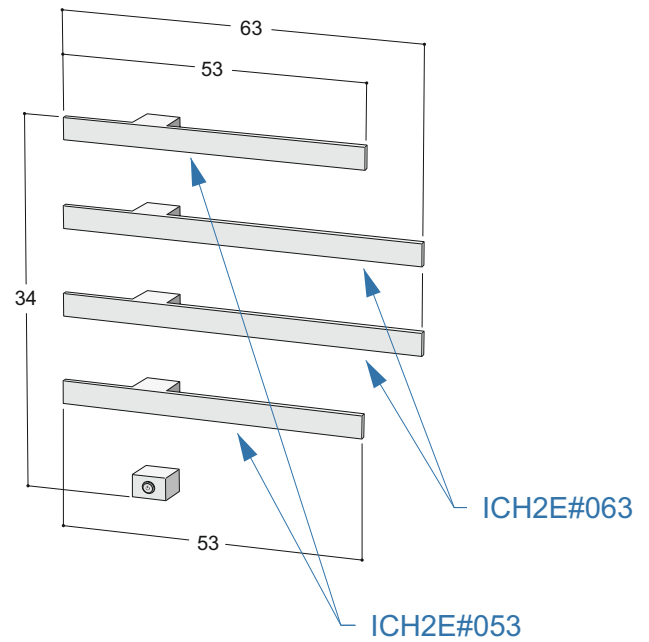
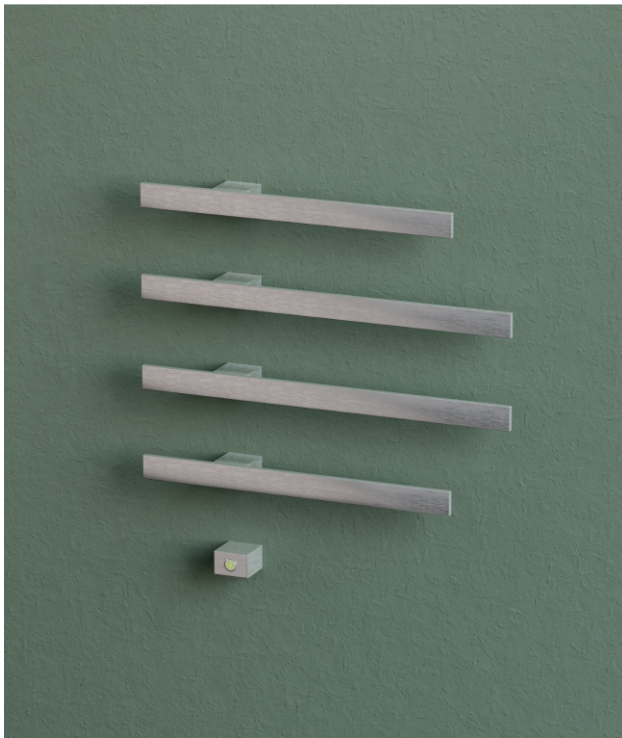
Code	Description	Price (€)
INT_ICH#Switch	Switch for I-CHING Coloured	
INT_ICHG#Switch	Switch for I-CHING Galvanic	

Transformer KIT** Required componen

Code	Description	Price (€)
KIT_ICH#01	Transformer kit without switch set up (max120W)	
KIT_ICH#01INT	Transformer kit with switch set up (max120W)	

** the recessed part also includes the 24V transformer and set-up for electrical connections

I-CHING Composition_04 electric version



<p>How to order I-Ching I-Ching consists of two elements, a visible external part, and a recessed part which must be set up when the plumbing is installed and can therefore be shipped in advance. I-Ching is available with or without a switch and it operates at 24 V. E.g.: ordering I-CHING Composition_04 electric with switch</p>			
External part	ICH2E#063... + ICH1E#135...	Recessed part	INC_ICH#E04INT
ICH2E#063	I-Ching- 2 elements electric, size 63 cm	INC_ICH#04INT	Recess for I-Ching- 4 element WITH pre-arrangement for switch
ICH2E#053	I-Ching- 2 elements electric, size 53 cm		
063, 135	Length of elements in cm		
...	Specify colour (see Tubes colour chart)		
Interruttore	INT_ICH#	Transformer KIT	KIT_ICH#01INT
	Interruttore per I-Ching		Transformer kit with switch set up

I-CHING Composition_04 Electric

External part I-Ching Composition_04

Code	Description	Output	Coloured Finishes		Stainless Steel and Galvanic Finishes*	
			standard finishes	Colours CO / C1	Code	STAINLESS STEEL
					Satin	Polished
ICH2E#063	External part I-CHING 02 L.63 cm	38 W			ICH2EG#063	
ICH2E#053	External part I-CHING 02 L.53 cm	30 W			ICH2EG#053	
	Total I-CHING Composition_04 External part	68 W				

* For the other Galvanic finishes, the price is calculated with an additional charge of 20% on the price of Satin Finish Stainless Steel

Recessed part I-Ching Composition_04 with and without pre-arrangement for switch

Code	Description	Price (€)
INC_ICH#E04	Recess for I-CHING- 4 elements without pre-arrangement for switch	
INC_ICH#E04INT	Recess for I-CHING- 4 elements with pre-arrangement for switch	

Switch

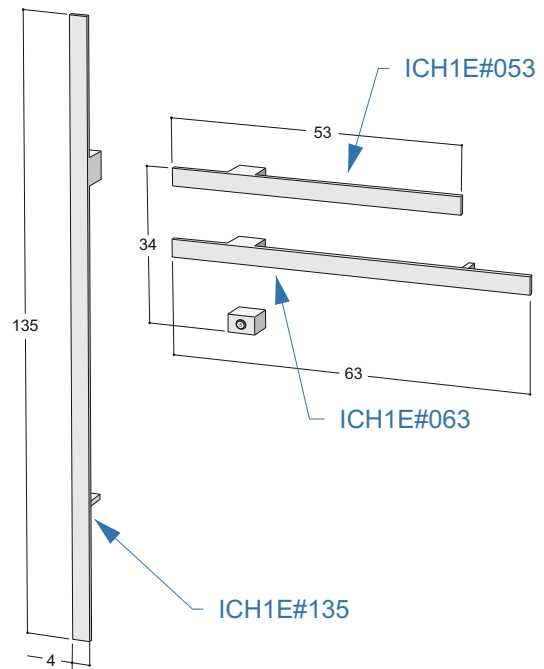
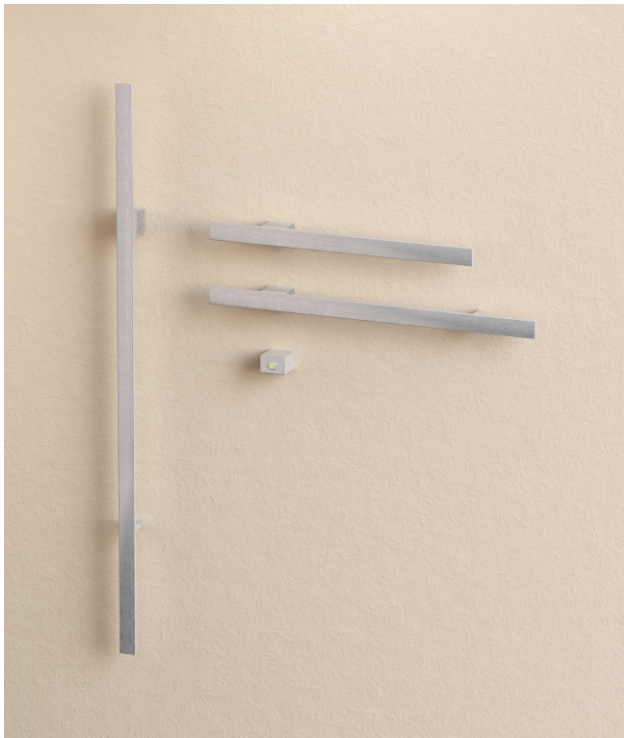
Code	Description	Price (€)
INT_ICH#Switch	Switch for I-CHING Coloured	
INT_ICH#Switch	Switch for I-CHING Galvanic	

Transformer KIT** Required componen

Code	Description	Price (€)
KIT_ICH#01	Transformer kit without switch set up (max120W)	
KIT_ICH#01INT	Transformer kit with switch set up (max120W)	

** the recessed part also includes the 24V transformer and set-up for electrical connections

I-CHING Composition_05 electric version



How to order I-Ching

I-Ching consists of two elements, a visible external part, and a recessed part which must be set up when the plumbing is installed and can therefore be shipped in advance. I-Ching is available with or without a switch and it operates at 24 V.

E.g.: [ordering I-CHING Composition_05 electric with switch](#)

External part ICH1E#053... + ICH1E#063... + ICH1E#135...

ICH1E#053 I-Ching- 2 elements electric, size 53 cm
 ICH1E#063 I-Ching- 1 element electric, size 63 cm
 ICH1E#135 I-Ching- 1 element electric, size 135 cm
 063, 078, 135 Length of elements in cm
 ... Specify colour (see Tubes colour chart)

Recessed part INC_ICH#E02 + INC_ICH#E01INT

INC_ICH#E02INT Recess for I-Ching- 2 elements with pre-arrangement for switch
 INC_ICH#E01 Recess for I-Ching- 1 element without pre-arrangement for switch

Interruttore INT_ICH#
 Interruttore per I-Ching

Transformer KIT KIT_ICH#01INT
 Transformer kit with switch set up

I-CHING Composition_05 electric

External part I-Ching Composition_05

Code	Description	Output	Coloured Finishes		Stainless Steel and Galvanic Finishes*		
			standard finishes	Colours CO / C1	Code	STAINLESS STEEL Satin Polished	
ICH1E#053	External part I-CHING 01 L.53 cm	15 W			ICH1EG#053		
ICH1E#063	External part I-CHING 01 L.63 cm	19 W			ICH1EG#063		
ICH1E#135	External part I-CHING 01 L.135 cm	40 W			ICH1EG#135		
Total I-CHING Composition_05 External part		74 W					

* For the other Galvanic finishes, the price is calculated with an additional charge of 20% on the price of Satin Finish Stainless Steel

Recessed part I-Ching Composition_05 with and without pre-arrangement for switch

Code	Description	Price (€)
INC_ICH#E02	Recess for I-CHING- 2 elements without pre-arrangement for switch	
INC_ICH#E01	Recess for I-CHING- 1 element without pre-arrangement for switch	
Total Recessed Part of I-Ching Composition_05 without pre-arrangement for switch		
INC_ICH#E02INT	Recess for I-CHING- 2 elements with pre-arrangement for switch	
INC_ICH#E01	Recess for I-CHING- 1 element without pre-arrangement for switch	
Total Recessed Part of I-Ching Composition_03 with pre-arrangement for switch		

Switch

Code	Description	Price (€)
INT_ICH#	Switch for I-CHING Coloured	
INT_ICHG#	Switch for I-CHING Galvanic	

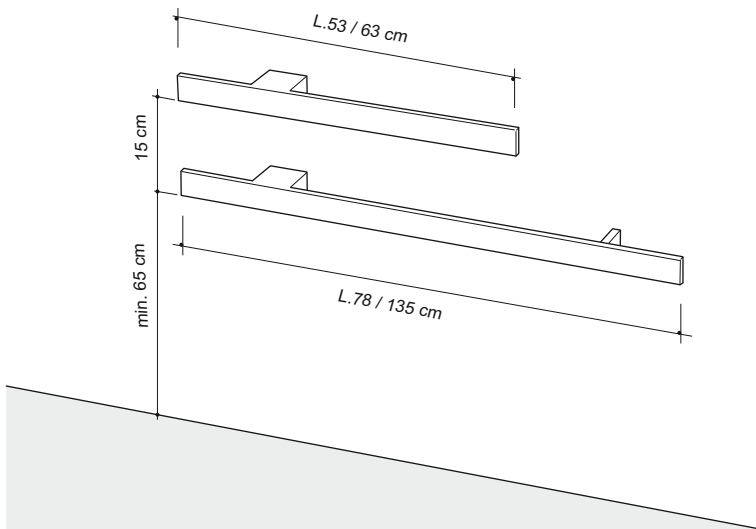
Transformer KIT** Required componen

Code	Description	Price (€)
KIT_ICH#01	Transformer kit without switch set up (max120W)	
KIT_ICH#01INT	Transformer kit with switch set up (max120W)	

** the recessed part also includes the 24V transformer and set-up for electrical connections

I-CHING

INSTALLATION DIAGRAM horizontal electric version



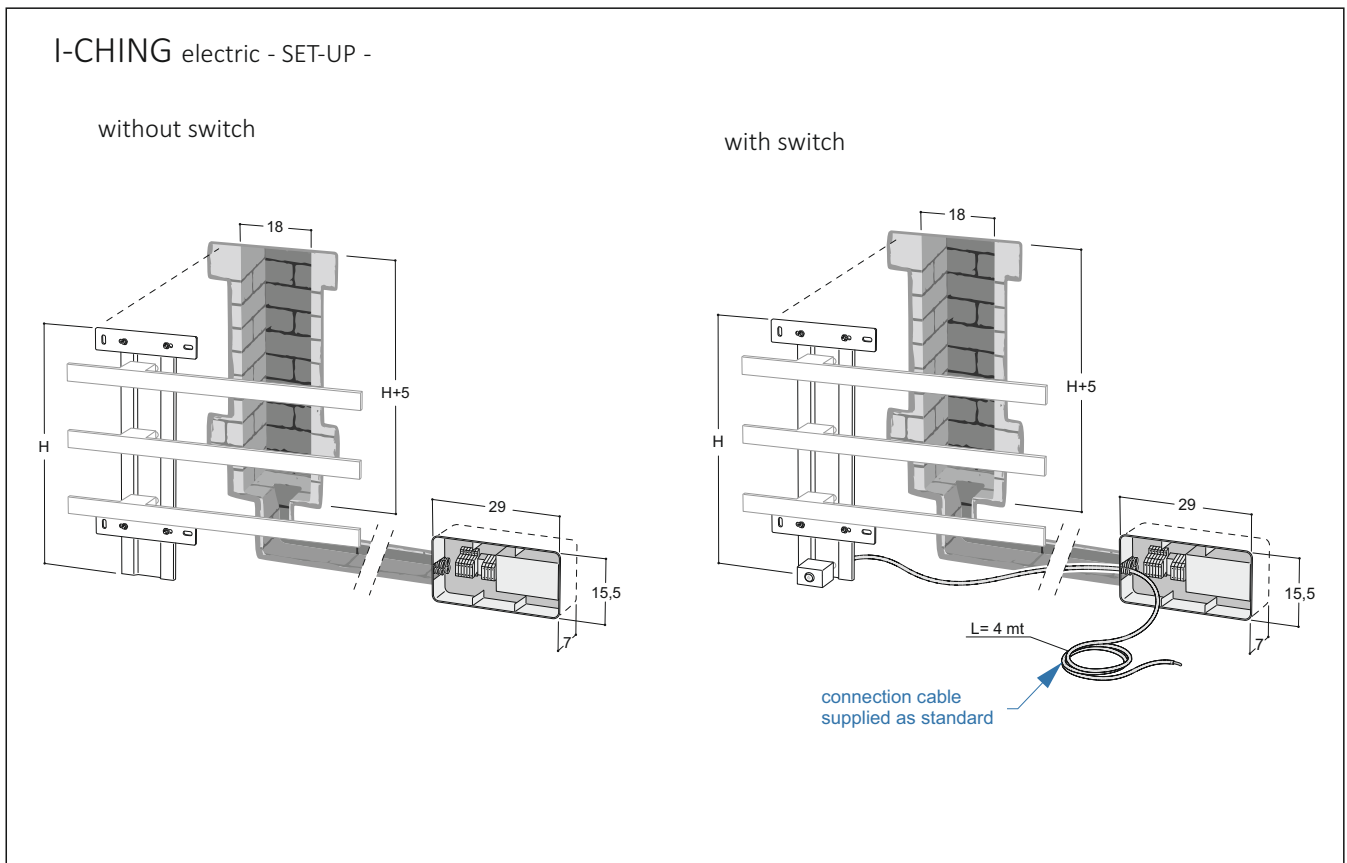
There are two electric versions of the I-Ching model: version with switch and version without switch.

The visible external part is the same for both versions. The recessed part on the other hand is different, as the one with a switch is set up for the assembly of this part.

In addition to the set-up for the switch, this version also includes a 4 metre-long transformer-switch connection cable which can be shortened as needed. For Child Safety reasons, assembly of the product in the horizontal version is not permitted at a height below 65 cm above the ground.

For both versions, the price of the "recessed part" includes the transformer and its housing box.

The electrical connections of I-Ching may only be made by qualified electricians in order to avoid assembly errors, malfunctioning and possible breakage.



There are two electric versions of the I-Ching model: version with switch and version without switch.

The visible external part is the same for both versions. The recessed part on the other hand is different, as the one with a switch is set up for the assembly of this part.

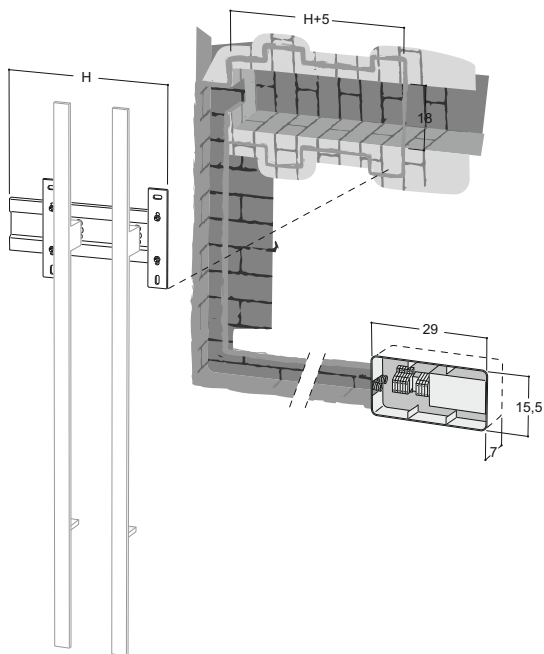
In addition to the set-up for the switch, this version also includes a 4 metre-long transformer-switch connection cable which can be shortened as needed. For Child Safety reasons, assembly of the product in the horizontal version is not permitted at a height below 65 cm above the ground.

For both versions, the price of the "recessed part" includes the transformer and its housing box.

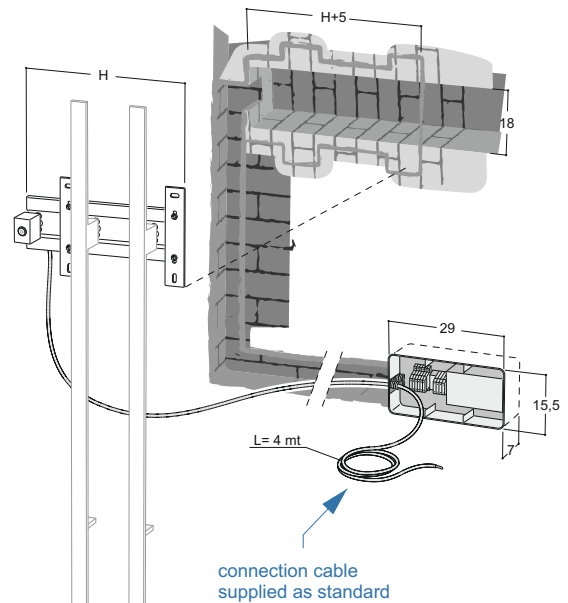
The electrical connections of I-Ching may only be made by qualified electricians in order to avoid assembly errors, malfunctioning and possible breakage.

I-CHING VERTICAL electric - SET-UP -

without switch



with switch



There are two electric versions of the I-Ching model: version with switch and version without switch.

The visible external part is the same for both versions. The recessed part on the other hand is different, as the one with a switch is set up for the assembly of this part.

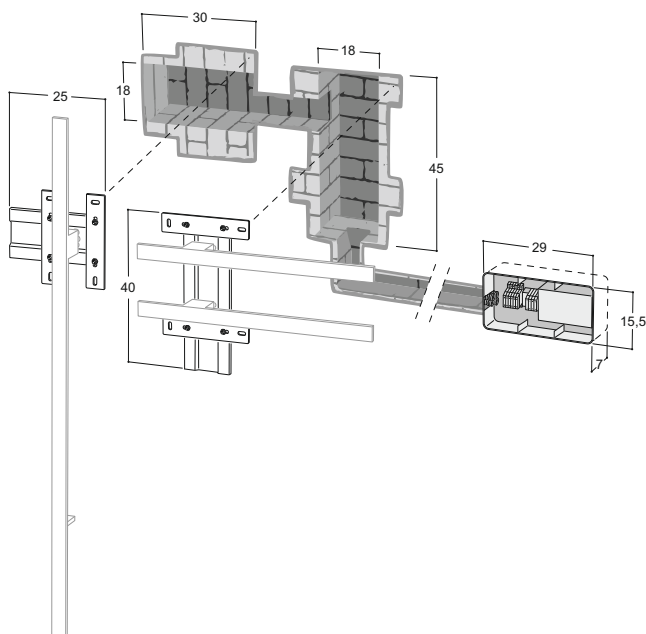
In addition to the set-up for the switch, this version also includes a 4 metre-long transformer-switch connection cable which can be shortened as needed. For Child Safety reasons, assembly of the product in the horizontal version is not permitted at a height below 65 cm above the ground.

For both versions, the price of the "recessed part" includes the transformer and its housing box.

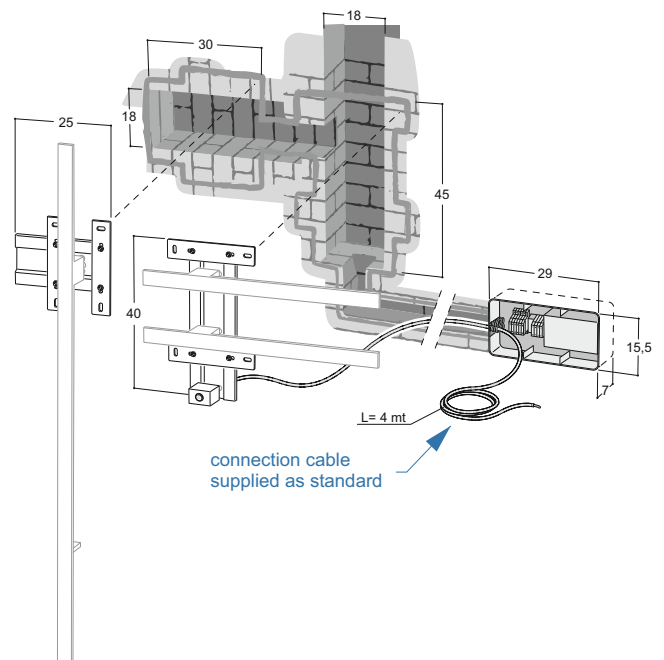
The electrical connections of I-Ching may only be made by qualified electricians in order to avoid assembly errors, malfunctioning and possible breakage.

I-CHING Composition_03 e _05 electric - SET-UP -

without switch



with switch



There are two electric versions of the I-Ching model: version with switch and version without switch.

The visible external part is the same for both versions. The recessed part on the other hand is different, as the one with a switch is set up for the assembly of this part.

In addition to the set-up for the switch, this version also includes a 4 metre-long transformer-switch connection cable which can be shortened as needed. For Child Safety reasons, assembly of the product in the horizontal version is not permitted at a height below 65 cm above the ground.

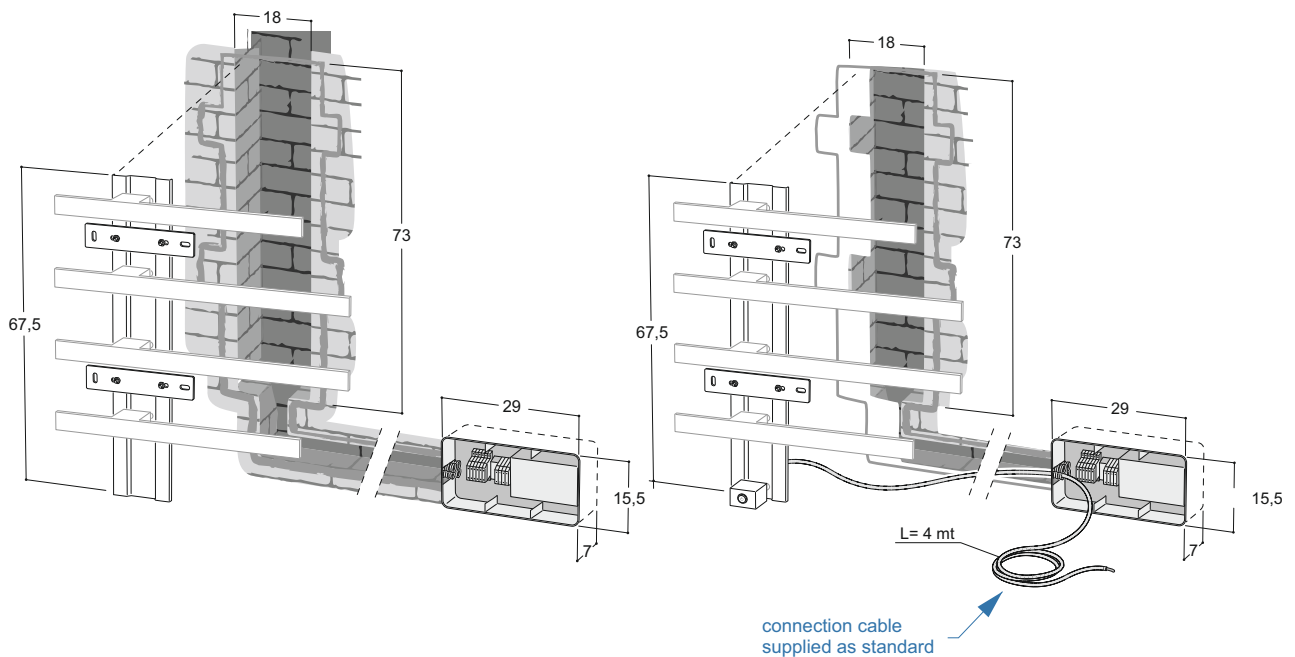
For both versions, the price of the "recessed part" includes the transformer and its housing box.

The electrical connections of I-Ching may only be made by qualified electricians in order to avoid assembly errors, malfunctioning and possible breakage.

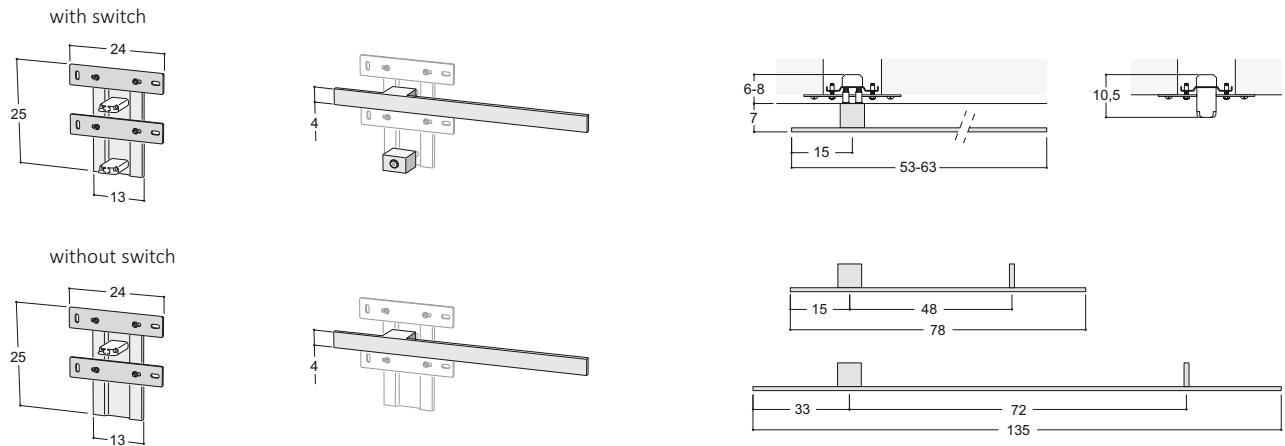
I-CHING Composition_04 electric - SET-UP -

without switch

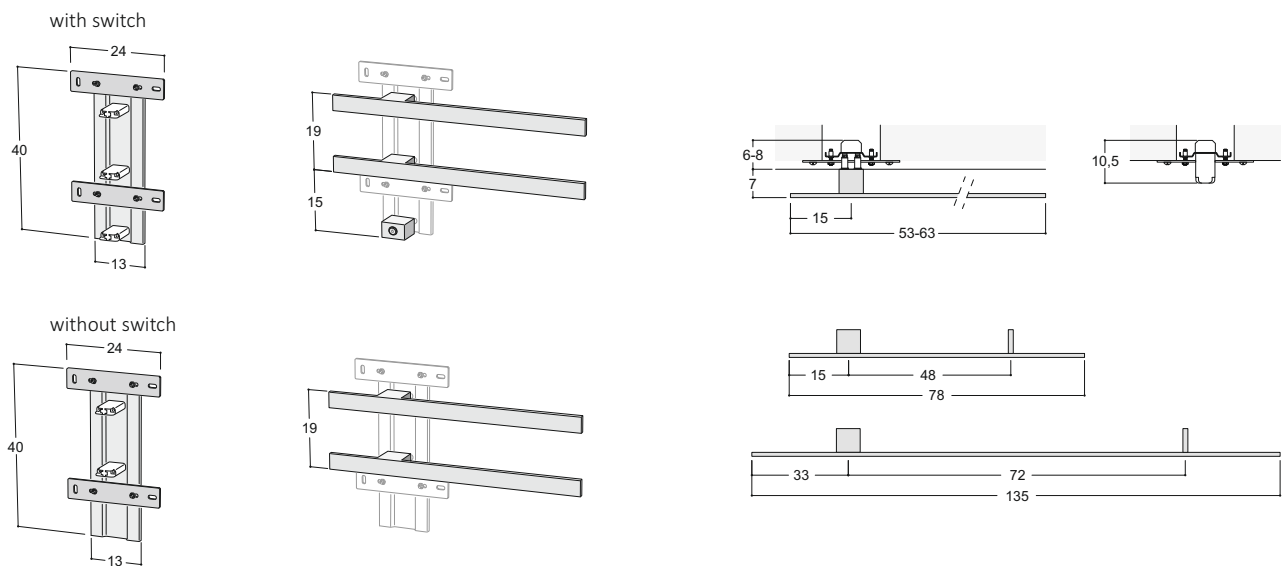
with switch



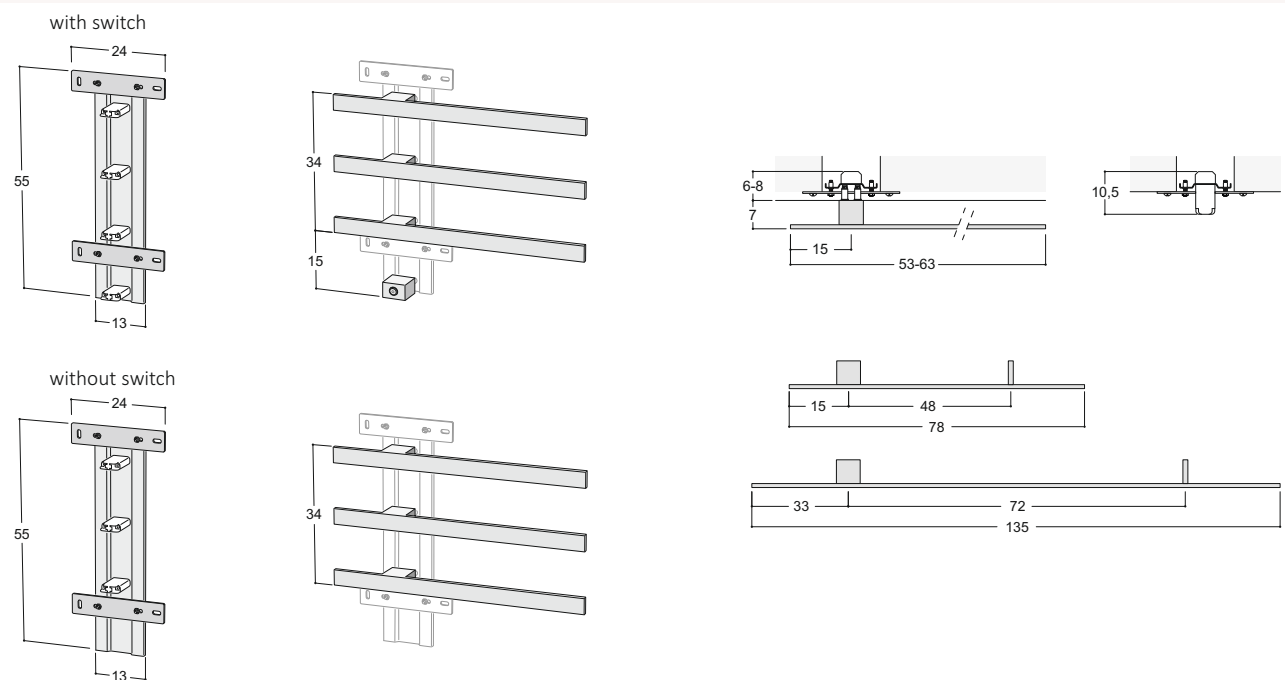
I-CHING_01 electric



I-CHING_02 electric

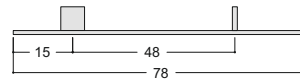
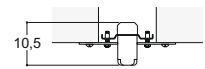
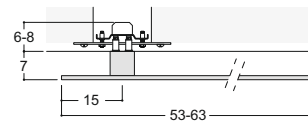
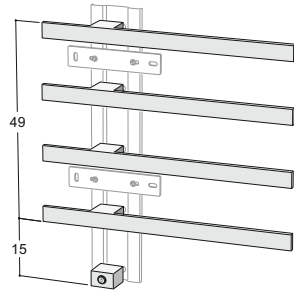
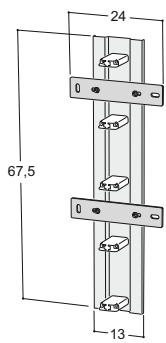


I-CHING_03 electric

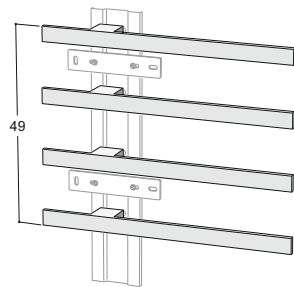
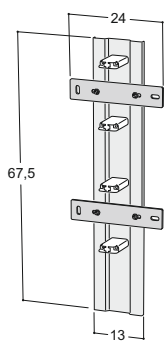


I-CHING_04 electric

with switch

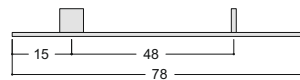
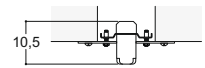
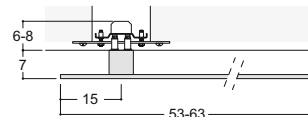
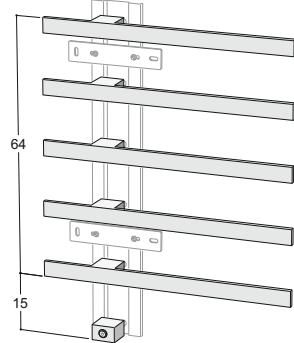
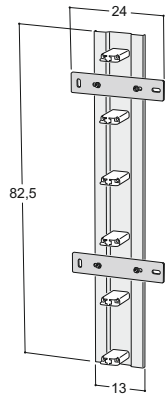


without switch

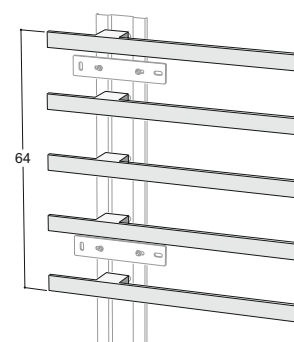
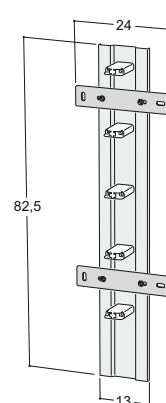


I-CHING_05 electric

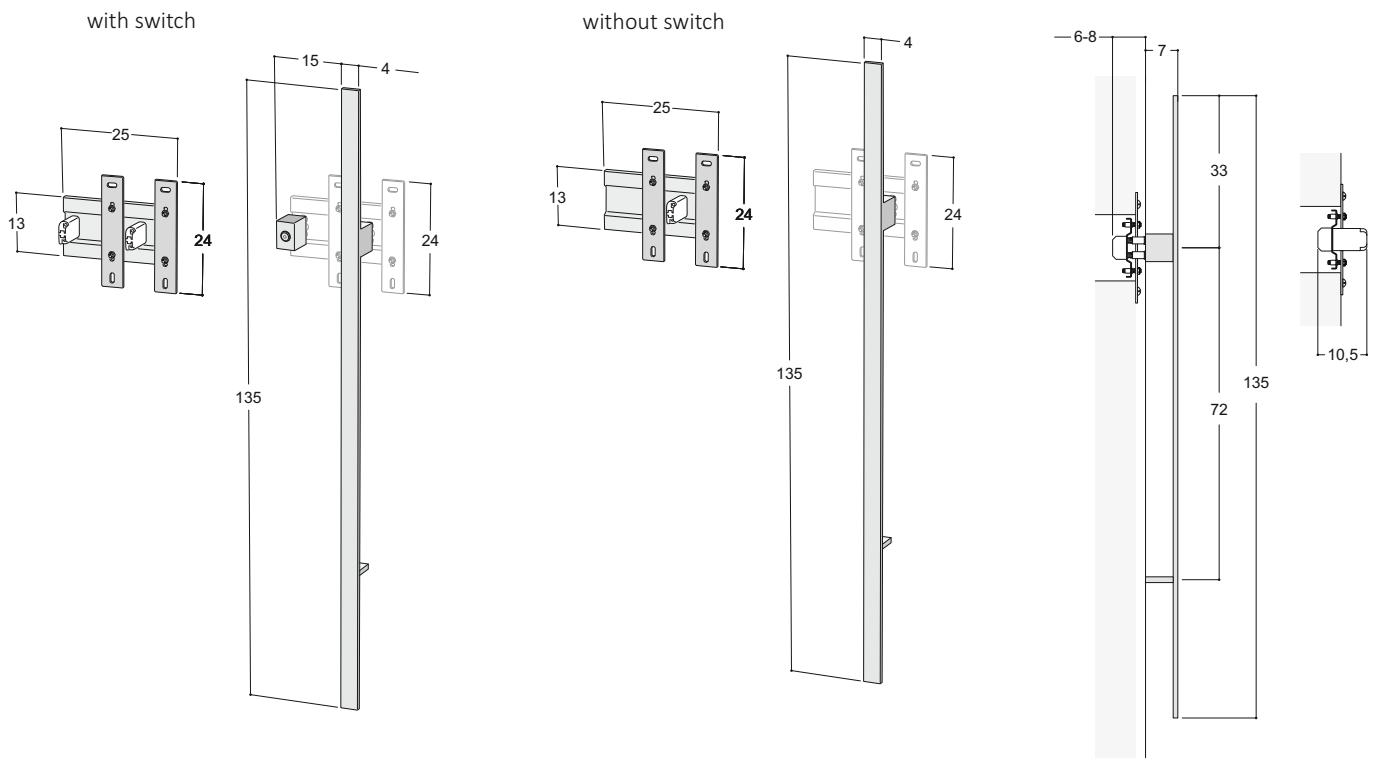
with switch



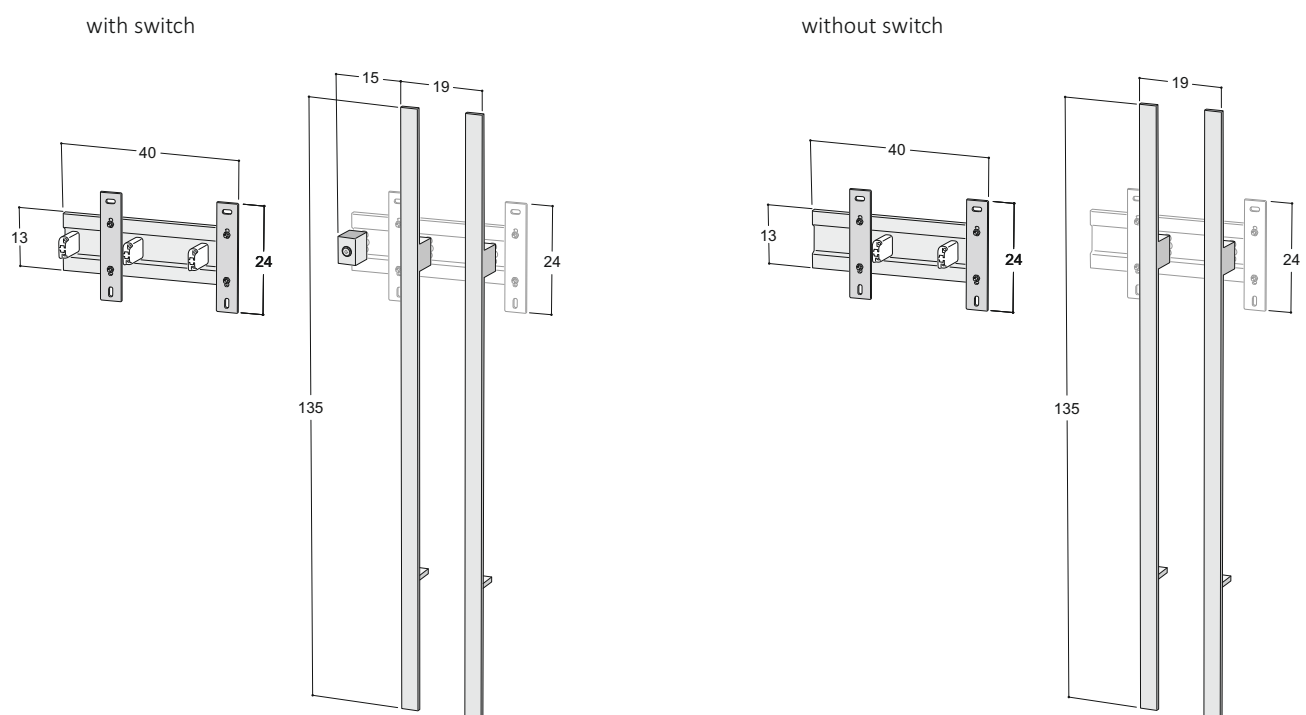
without switch



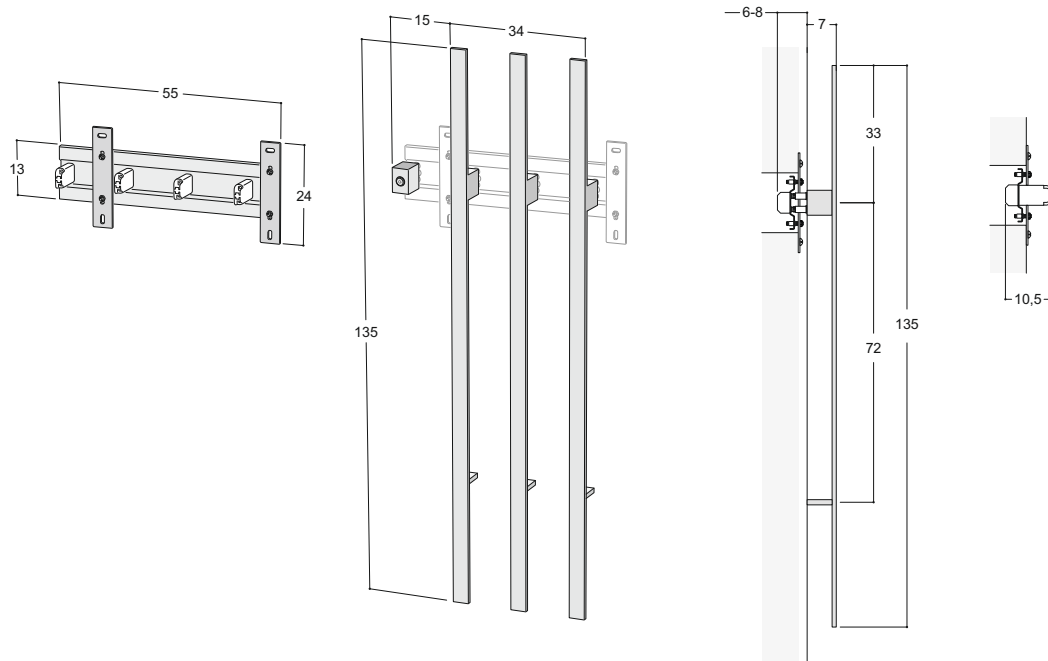
I-CHING_Vertical SINGLE electric



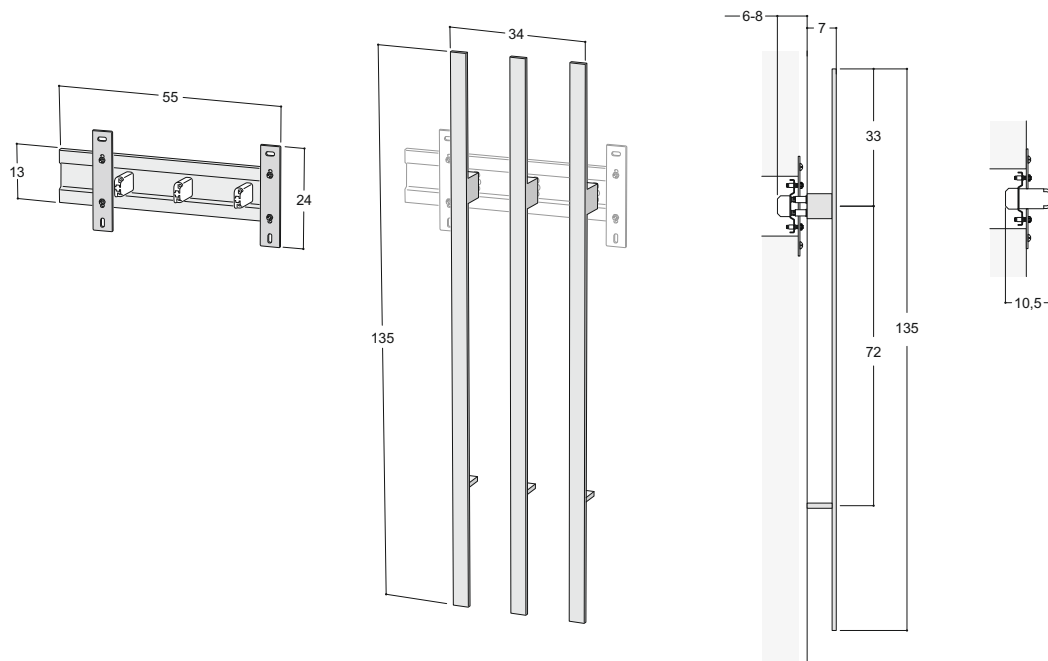
I-CHING_Vertical DOUBLE electric



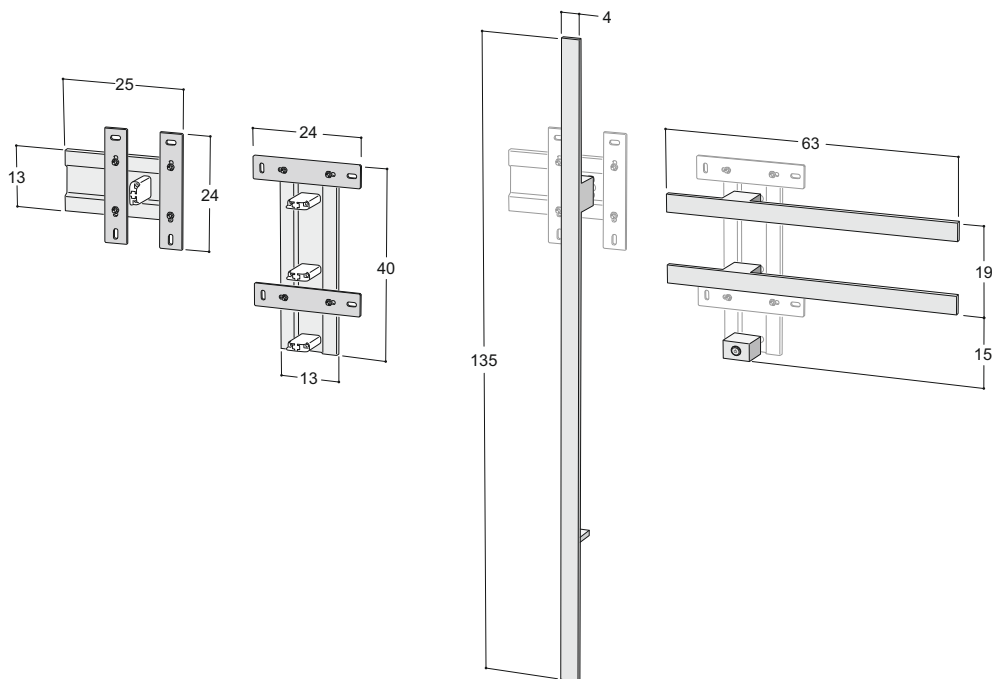
I-CHING_Vertical TRIPLE electric with switch



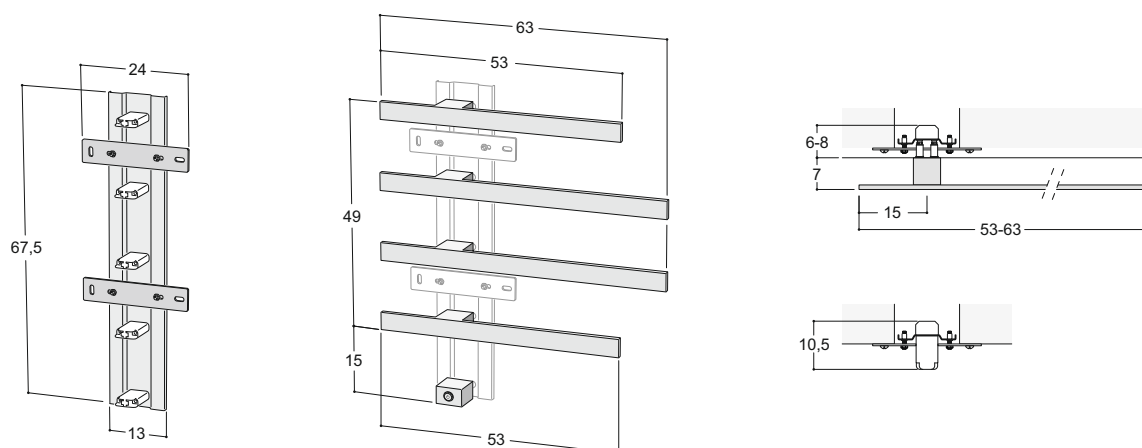
I-CHING_Vertical TRIPLE electric without switch



I-CHING Composition 03 electric with switch



I-CHING Composition 04 electric without switch



Tutte le informazioni contenute in questo documento, compresi prezzi e dati tecnici, sono indicativi. Tubes si riserva il diritto di modificare tali dati in qualunque momento e senza preavviso alcuno.

TUBES