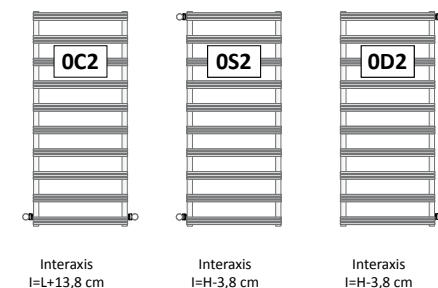


CONNECTORS The heated towel rails are supplied as standard with connectors "OB1"

If different connectors are required, strictly indicate this in the order. **IMPORTANT:** the connectors for heated towel rails and radiators connected to the same system must all have the same configuration, otherwise operating problems may occur.

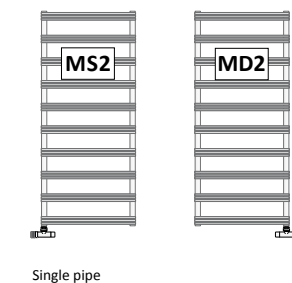
Special connectors

Supplied upon request AT an additional charge of (NOT available in the chrome version)



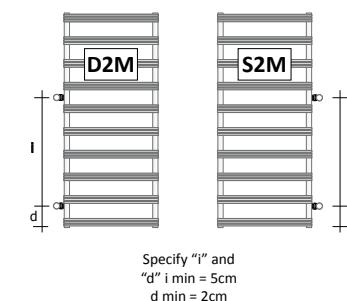
Connectors on request

Available upon request AT NO additional charge.

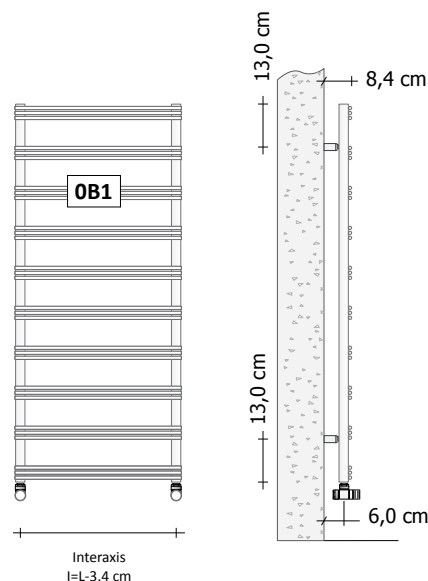


Custom-made connectors

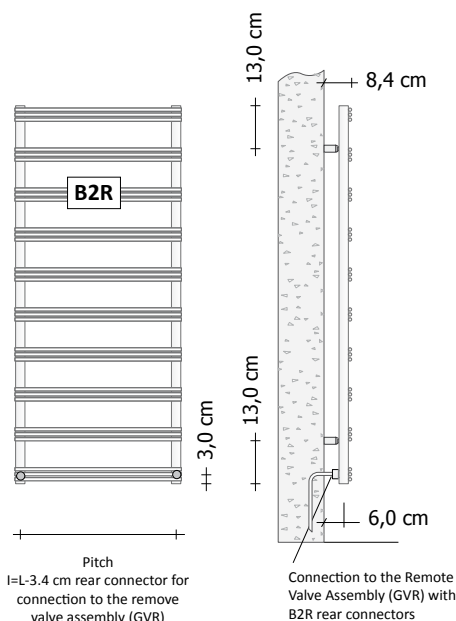
Available upon request WITH an additional charge of



STANDARD HYDRAULIC VERSION
(Connectors OB1)



STANDARD HYDRAULIC VERSION
(Connectors B2R)



Standard convertible valves - Z1TMNR -

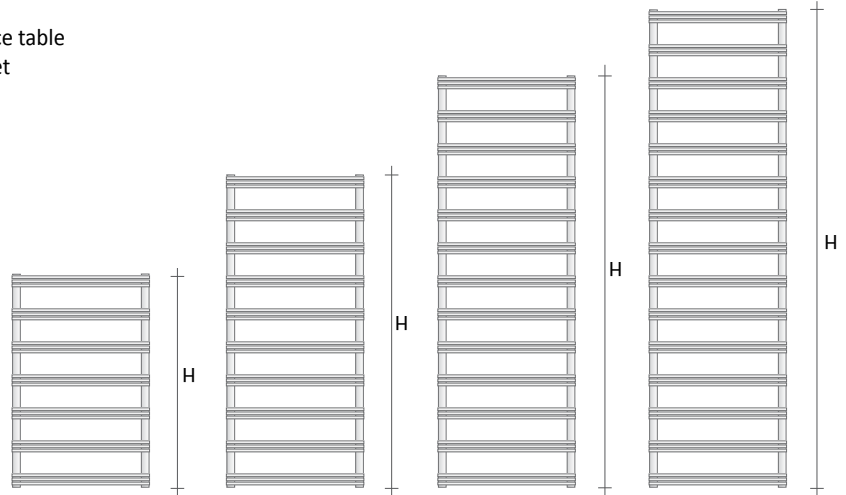
For more information on the choice of valves, see p. 310

	Code	Description	Finishes	Price (€)
	Z1TCXNR#ANR12...	Valve (that can be fitted with thermostat) and lockshield - STAINLESS STEEL COPPER ANGLE or MULTILAYER	Brushed Stainless Steel	
	Z1TMNR#ANR12SPA	Manual valve and lockshield - STAINLESS STEEL COPPER ANGLE or MULTILAYER	Brushed Stainless Steel	
	2 x Z1RACX#M03SPA	STAINLESS STEEL pipe unions for Multi-layer MM24x19x12 - 16x2	Brushed	

Product code **SM10X#120050 OB1 ST SPA**

SM10X#120050 OB1 ST SPA Article code specified in the price table

OB1 Connector code see technical datasheet
 ST Standard support code
 SPA Brushed STAINLESS STEEL



SM10X#... Hydraulic


Model	H (cm)	L (cm)	Interaxis (cm)	Heat output in Watts STAINLESS STEEL version		Price Inox(€)
				ΔT. 50°C	ΔT. 30°C	
SM10X#080040	77,5	40,0	36,6	197	104	
SM10X#080050	77,5	50,0	46,6	246	130	
SM10X#080060	77,5	60,0	56,6	295	156	
SM10X#120040	113,5	40,0	36,6	273	143	
SM10X#120050	113,5	50,0	46,6	341	179	
SM10X#120060	113,5	60,0	56,6	409	215	
SM10X#150040	149,5	40,0	36,6	353	186	
SM10X#150050	149,5	50,0	46,6	441	233	
SM10X#150060	149,5	60,0	56,6	529	280	
SM10X#175040	173,5	40,0	36,6	410	217	
SM10X#175050	173,5	50,0	46,6	513	271	
SM10X#175060	173,5	60,0	56,6	616	325	

SM10X#...hydraulic with rear connectors B2R

Model	H (cm)	L (cm)	Interaxis (cm)	Heat output in Watts STAINLESS STEEL version		Price Inox(€)
				ΔT. 50°C	ΔT. 30°C	
SM10X#080040B2R	77,5	40,0	36,6	197	104	
SM10X#080050B2R	77,5	50,0	46,6	246	130	
SM10X#080060B2R	77,5	60,0	56,6	295	156	
SM10X#120040B2R	113,5	40,0	36,6	273	143	
SM10X#120050B2R	113,5	50,0	46,6	341	179	
SM10X#120060B2R	113,5	60,0	56,6	409	215	
SM10X#150040B2R	149,5	40,0	36,6	353	186	
SM10X#150050B2R	149,5	50,0	46,6	441	233	
SM10X#150060B2R	149,5	60,0	56,6	529	280	
SM10X#175040B2R	173,5	40,0	36,6	410	217	
SM10X#175050B2R	173,5	50,0	46,6	513	271	
SM10X#175060B2R	173,5	60,0	56,6	616	325	

Remote valve assembly – GVR

For more information on the choice of valves, see p. 310

	Code	Description	Finishes	Price (€)
	GVRG#1... GVRTG#1...	RECESSED Valve that can be fitted with a thermostat and Lockshield assembly for REMOTE connection Thermostatic valve* and lockshield assembly for recessed remote connection	Nickel Brushed	
* The price does NOT include the cost of the thermostatic head (see page 320)				

IN THE PACK

The heated towel rails are supplied with their respective standard supports (code ST), that include the wall fixing shelves, pressure anchors and the respective vent valve, all included inside the pack and included in the price.

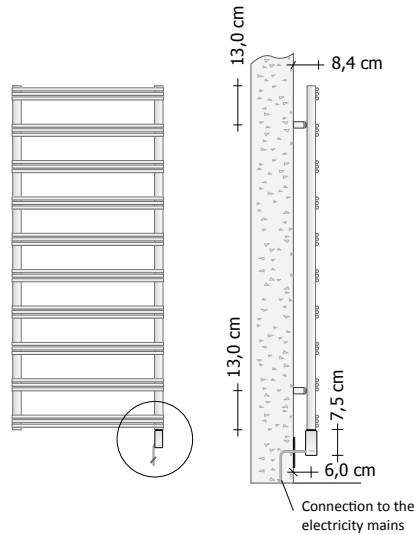
SMART_X - SM10XE STAINLESS STEEL ELECTRIC

Brushed STAINLESS STEEL electric heated towel rail with 10 mm diameter elements

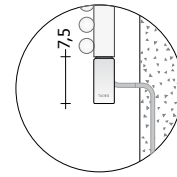


ELECTRIC VERSION WITH EDGE CAP

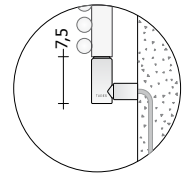
(Only available for the non EEC market and/or connected to a home automation system with characteristics complying with ECODesign regulations)



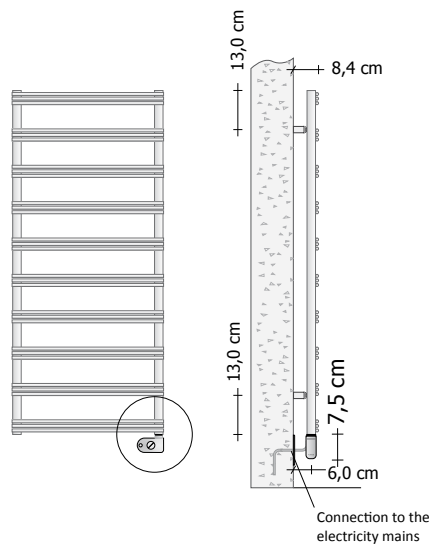
Connection to the electricity mains with Standard Edge Cap



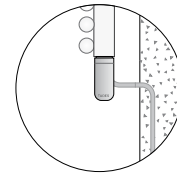
Connection to the electricity mains with DESIGN edge cap painted in the same colour (supplied with an extra charge)



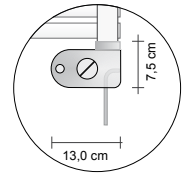
ELECTRIC VERSION WITH ECODesign THERMOSTAT



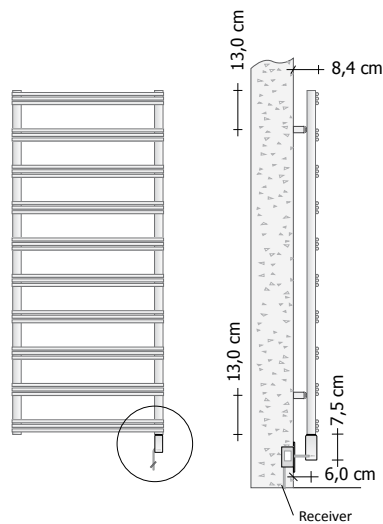
Connection to the electricity mains



ECODesign Room Thermostat



ELECTRIC VERSION WITH WIRELESS ECODesign CONTROLS



Digital Chronothermostat (code ZRF007)



The WIRELESS Thermostat requires the installation of the Receiver included in the price.

For the assembly diagram see page 330 of the official 2023 Price List.

Wi-Fi thermostat (code ZRF081)

The Wi-Fi Thermostat connected to the chosen model via cable is designed to manage the product via APP also remotely. The Thermostat, available in the WHITE finish (code ZRF081) and BLACK (code ZRF082) must be connected to the household wi-fi.



ELECTRIC VERSION WITH EDGE CAP

Only available for the extra EEC market and/or connected to a home automation system complying with ECODesign regulations

Model	Colour code of the edge cap		Code DESIGN* Edge Cap	H (cm)	L (cm)	Electrical Resistance (Watts)	Price Inox(€)
	Anthracite Grey						
SM10XEL#080040	V1	T6		77,5	40,0	300 W	
SM10XEL#080050	V1	T6		77,5	50,0	300 W	
SM10XEL#080060	V1	T6		77,5	60,0	300 W	
SM10XEL#120040	V1	T6		113,5	40,0	300 W	
SM10XEL#120050	V1	T6		113,5	50,0	300 W	
SM10XEL#120060	V6	T7		113,5	60,0	400 W	
SM10XEL#150040	V6	T7		149,5	40,0	400 W	
SM10XEL#150050	V6	T7		149,5	50,0	400 W	
SM10XEL#150060	V2	T8		149,5	60,0	600 W	
SM10XEL#175040	V6	T7		173,5	40,0	400 W	
SM10XEL#175050	V2	T8		173,5	50,0	600 W	
SM10XEL#175060	V2	T8		173,5	60,0	600 W	

* The DESIGN EDGE CAP is produced in painted metal in the same Colour/Finish as the towel rail and it does not expose the heating element connection cable, this end piece is supplied upon request with an additional charge of

ELECTRIC VERSION WITH ECODesign ROOM THERMOSTAT

Model	Thermostat code			H (cm)	L (cm)	Electrical Resistance (Watts)	Price Inox(€)
	ROOM*		RADIATOR**				
	Chrome	Matt Black					
SM10XET#080040	F7	JO	N5	77,5	40,0	300 W	
SM10XET#080050	F7	JO	N5	77,5	50,0	300 W	
SM10XET#080060	F7	JO	N5	77,5	60,0	300 W	
SM10XET#120040	F7	JO	N5	113,5	40,0	300 W	
SM10XET#120050	F7	JO	N5	113,5	50,0	300 W	
SM10XET#120060	E8	JP	NA	113,5	60,0	400 W	
SM10XET#150040	E8	JP	NA	149,5	40,0	400 W	
SM10XET#150050	E8	JP	NA	149,5	50,0	400 W	
SM10XET#150060	G7	JQ	N6	149,5	60,0	600 W	
SM10XET#175040	E8	JP	NA	173,5	40,0	400 W	
SM10XET#175050	G7	JQ	N6	173,5	50,0	600 W	
SM10XET#175060	G7	JQ	N6	173,5	60,0	600 W	

* In addition to the White finish, the ROOM thermostat is available in the CHROME finish and in the new MATT BLACK finish with an extra charge of

** The RADIATOR thermostat is not ECODesign

ELECTRIC VERSION WITH WALL-MOUNTED THERMOSTATS*

Model	Colour code of the edge cap Anthracite Grey	Code DESIGN* Edge Cap	ZRF Thermostat Codes*			H (cm)	L (cm)	Electrical Resistance (Watts)	Price Inox(€)
			Wireless	Wi-Fi	Wi-Fi				
			White	White	Black				
SM10XEW#080040	V1	T6	007	081	082	77,5	40,0	300 W	
SM10XEW#080050	V1	T6	007	081	082	77,5	50,0	300 W	
SM10XEW#080060	V1	T6	007	081	082	77,5	60,0	300 W	
SM10XEW#120040	V1	T6	007	081	082	113,5	40,0	300 W	
SM10XEW#120050	V1	T6	007	081	082	113,5	50,0	300 W	
SM10XEW#120060	V6	T7	007	081	082	113,5	60,0	400 W	
SM10XEW#150040	V6	T7	007	081	082	149,5	40,0	400 W	
SM10XEW#150050	V6	T7	007	081	082	149,5	50,0	400 W	
SM10XEW#150060	V2	T8	007	081	082	149,5	60,0	600 W	
SM10XEW#175040	V6	T7	007	081	082	173,5	40,0	400 W	
SM10XEW#175050	V2	T8	007	081	082	173,5	50,0	600 W	
SM10XEW#175060	V2	T8	007	081	082	173,5	60,0	600 W	

* The DESIGN EDGE CAP is made of metal in NIK Nickel Matt Brushed galvanic finish and does not expose the heating element connection cable. This edge cap is supplied on request with an additional charge of while the WIRELESS thermostat is supplied in white.

*** ZRF WALL-MOUNTED THERMOSTATS**

The electric version with ZRF wall-mounted thermostat can have the following possibilities by adding the following additional charges to the price shown in the table:

code ZRF 007	Wireless Thermostat + Receiver	No additional charge
code ZRF 082	Wi-Fi Thermostat Black	
code ZRF 081	Wi-Fi Thermostat White	